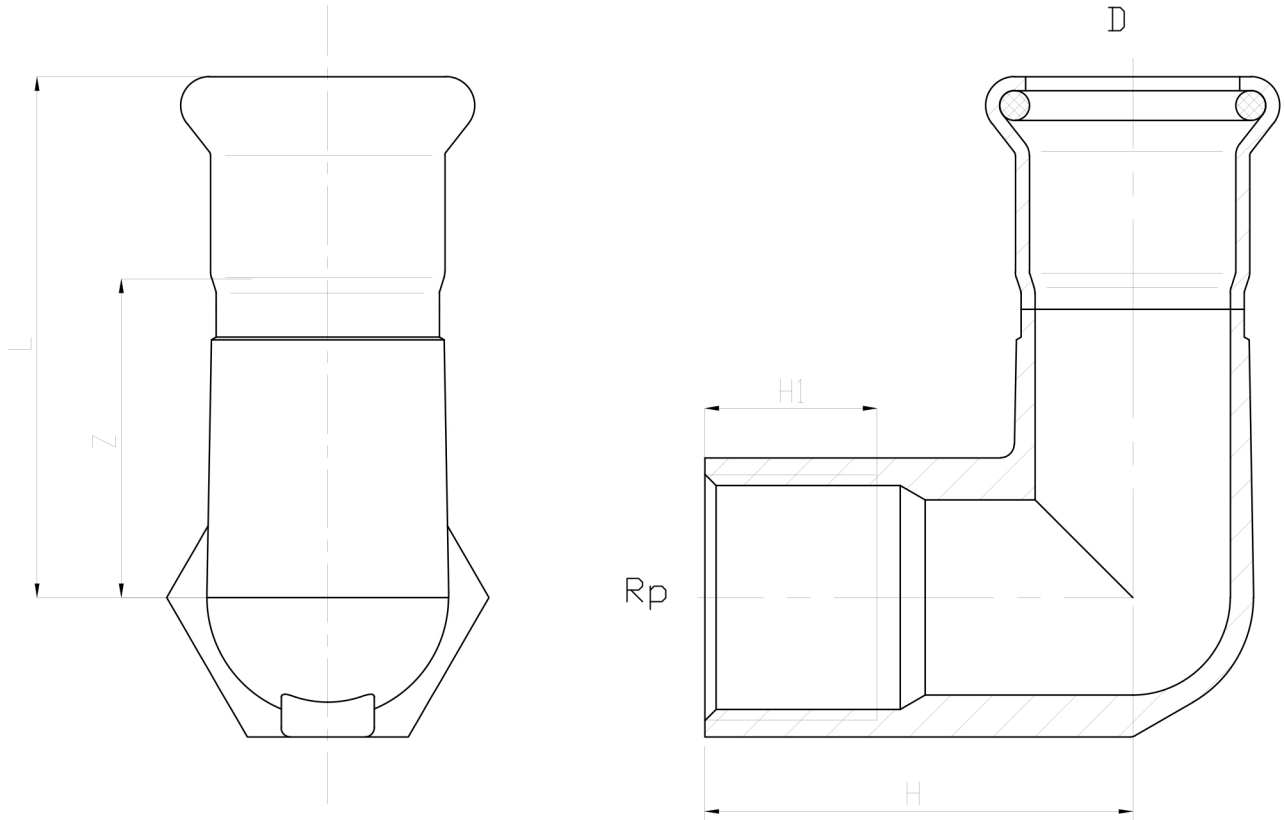


### FEMALE ELBOW COUPLING



SIZE	PART No	D	Rp	L	H	Z	WEIGHT
							KG EACH
15	PFFE15X1/2BSPP	15	1/2	55	37	35	0.105
18	PFFE18X1/2BSPP	18	1/2	57	39	37	0.116
22	PFFE22X3/4BSPP	22	3/4	61	46	39	0.176
28	PFFE28X1BSPP	28	1	68	54	45	0.253
35	PFFE35X114BSPP	35	1 1/4	76	63	50	0.433

\*316L/1.4404 SS

\*-35°C to +135°C (EPDM Seal)

\*-20°C to +200°C (Optional FPM Seal)

\*Maximum 16 BAR Operating pressure

\*WRAS/DVGW Approved

\*Sizes 15MM to 108MM

\*Female threads Parallel Rp to EN10226-1/ISO7-1

\*Male threads Taper Rc to EN10226-1/ISO7-1

\*\*DIMENSIONS SUBJECT TO CHANGE, PLEASE CONTACT US IF CRITICAL\*\*