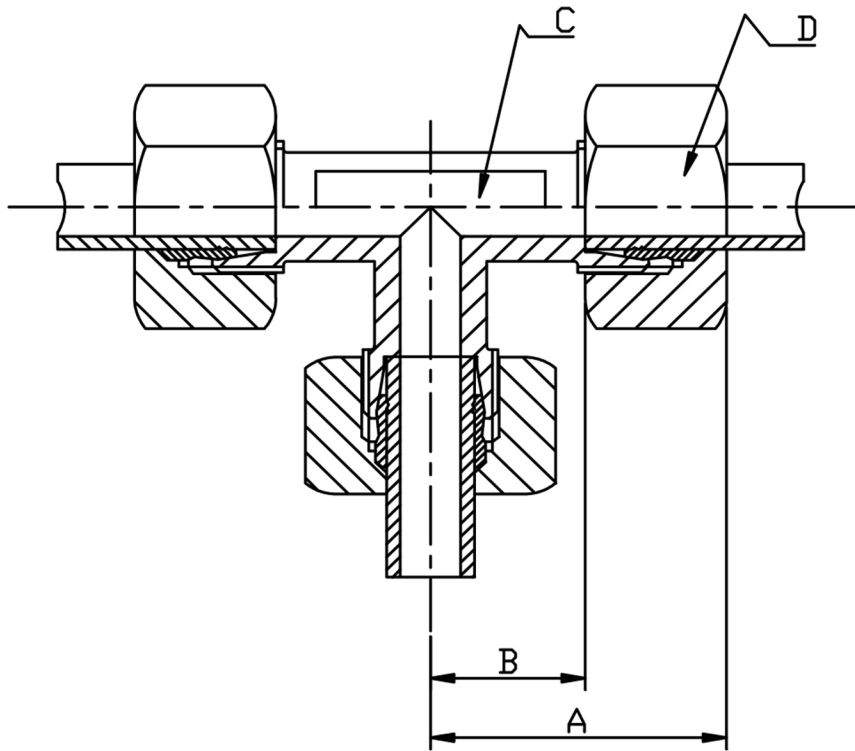


EQUAL TEE



TUBE	PART No	A	B	C	D	PN BAR	Kg 100
LIGHT SERIES							
4	ET04LL	21	11	9	10	100	2.8
6	ET06LL	21	9.5	9	12		3.3
8	ET08LL	23	11.5	12	14		4.5
6	ET06L	27	12.0	12	14	315	6.2
8	ET08L	29	14.0	12	17		10.3
10	ET10L	30	15.0	14	19		10.7
12	ET12L	32	17.0	17	22		13.7
15	ET15L	36	21.0	19	27		23.4
18	ET18L	40	23.5	24	32	160	35.1
22	ET22L	44	27.5	27	36		46.8
28	ET28L	47	30.5	36	41		62.6
35	ET35L	56	34.5	41	50		97.5
42	ET42L	63	40.0	50	60		147.7
HEAVY SERIES							
6	ET06S	31	16.0	12	17	630	10.3
8	ET08S	32	17.0	14	19		12.8
10	ET10S	34	17.5	17	22		17.3
12	ET12S	38	21.5	17	24		21.9
14	ET14S	40	22.0	19	27		29.2
16	ET16S	43	24.5	24	30	400	37.0
20	ET20S	48	26.5	27	36		60.2
25	ET25S	54	30.0	36	46		112.8
30	ET30S	62	35.5	41	50		139.2
38	ET38S	72	41.0	50	60		315

*316Ti Stainless Steel

*Pressures up to 630 BAR

*Dimensions to EN ISO 8434-1/DIN 2353

*Sizes 4mm to 42mm

DIMENSIONS SUBJECT TO CHANGE, PLEASE CONTACT US IF CRITICAL