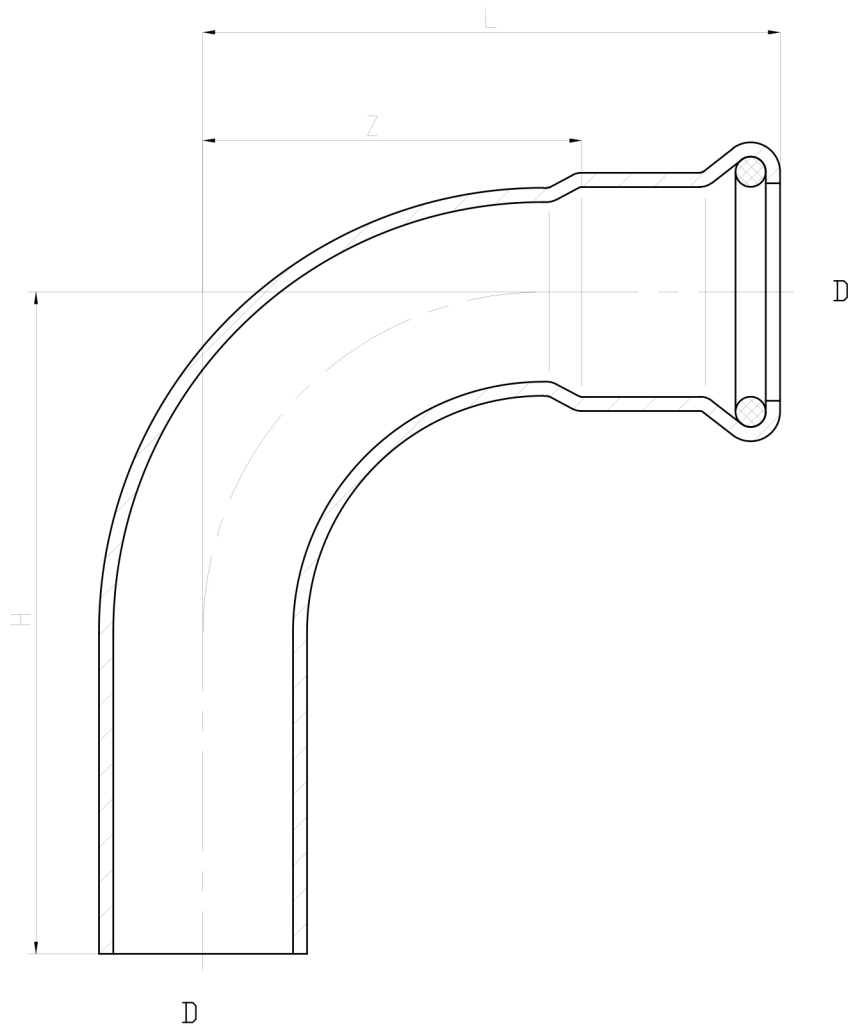


90 EXTENSION ELBOW



SIZE	PART No	D	L	Z	H	WEIGHT
						KG EACH
15	PFEX15	15	49	29	57	0.053
18	PFEX18	18	53	33	61	0.066
22	PFEX22	22	61	40	70	0.089
28	PFEX28	28	72	49	79	0.134
35	PFEX35	35	78	52	90	0.18
42	PFEX42	42	90	60	102	0.262
54	PFEX54	54	110	75	122	0.391
76.1	PFEX76.1	76.1	175	122	188	1.131
88.9	PFEX88.9	88.9	208	148	223	1.604
108	PFEX108	108	243	168	262	2.33

*316L/1.4404 SS

*-35°C to +135°C (EPDM Seal)

*-20°C to +200°C (Optional FPM Seal)

*Maximum 16 BAR Operating pressure

*WRAS/DVGW Approved

*Sizes 15MM to 108MM

*Female threads Parallel Rp to EN10226-1/ISO7-1

*Male threads Taper Rc to EN10226-1/ISO7-1

****DIMENSIONS SUBJECT TO CHANGE, PLEASE CONTACT US IF CRITICAL****