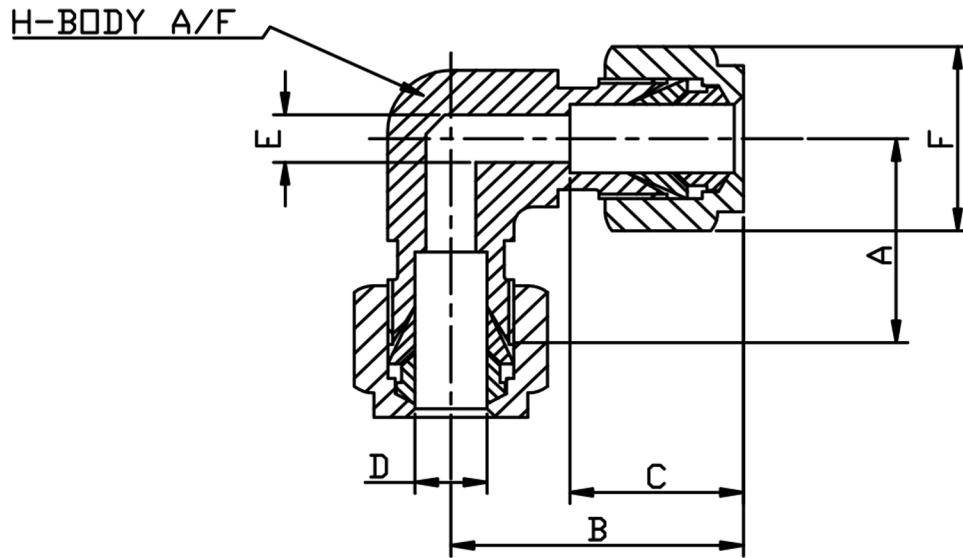


EQUAL ELBOW (FRACTIONAL)



D TUBE	PART No	A	B	C	E	F HEX	H A/F	Kg/100
1/8	2ELU	19.1	28.6	13.5	2.4	11.1	12.7	3.8
3/16	3ELU	19.8	29.0	14.3	3.2	12.7	12.7	4.1
1/4	4ELU	20.6	28.2	15.1	4.8	14.3	12.7	4.7
5/16	5ELU	22.2	30.6	16.7	6.4	15.9	14.3	6.4
3/8	6ELU	23.0	30.6	16.7	7.1	17.5	14.3	6.4
1/2	8ELU	25.0	35.3	23.0	10.3	22.2	17.5	11.7
5/8	10ELU	27.0	36.5	23.8	12.7	25.4	23.4	20.0
3/4	12ELU	29.8	39.7	24.6	15.9	28.6	23.4	19.0
1	16ELU	35.7	48.9	31.4	22.2	38.1	31.8	30.2

*316 Stainless Steel

*Fractional sizes 1/8" to 1"

*Silver plated nuts

DIMENSIONS SUBJECT TO CHANGE, PLEASE CONTACT US IF CRITICAL