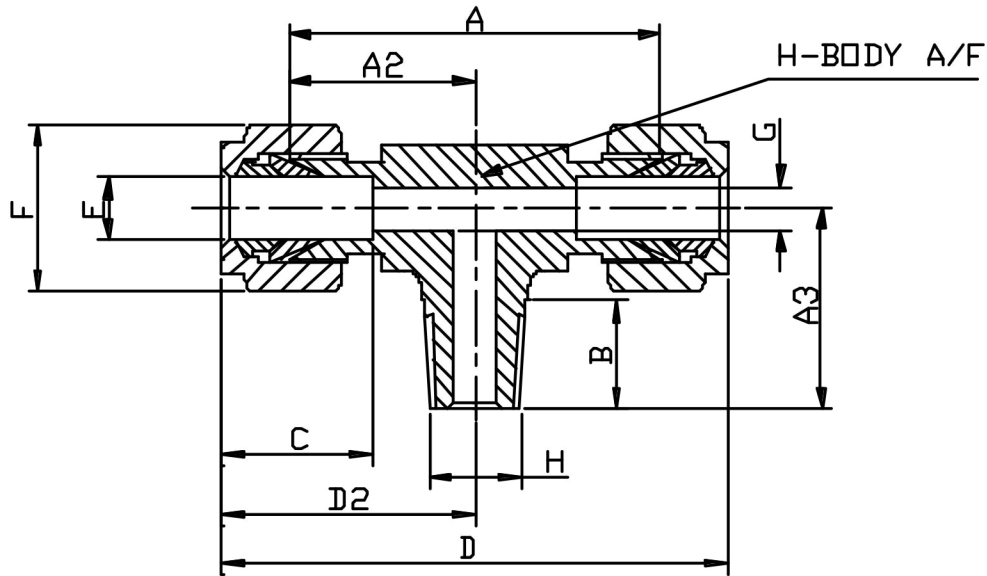


MALE BRANCH TEE NPT (FRACTIONAL)



E TUBE	H THREAD	PART No	A	A2	A3	B	C	D	D2	F HEX	G	H A/F	Kg/100
1/4	1/8	4TTM2NPT	41.3	20.6	19.1	9.5	15.1	56.4	28.2	14.3	4.8	12.7	5.8
1/4	1/4	4TTM4NPT	42.9	21.3	24.6	14.3	15.1	57.9	29.0	14.3	4.8	12.7	6.8
3/8	1/4	6TTM4NPT	46.0	23.0	24.6	14.3	16.7	61.1	30.6	17.5	7.1	14.3	7.8
1/2	1/4	8TTM4NPT	50.0	25.0	27.4	14.3	23.0	70.6	35.3	22.2	4.8	17.5	12.0
1/2	3/8	8TTM6NPT	50.0	25.0	27.4	14.3	23.0	70.6	35.3	22.2	10.3	17.5	13.7
1/2	1/2	8TTM8NPT	60.3	30.2	34.9	19.1	23.0	81.0	40.5	22.2	10.3	17.5	22.3
5/8	1/2	10TTM8NPT	60.3	30.2	34.9	19.1	23.8	79.4	39.7	25.4	12.7	23.8	23.4
3/4	1/2	12TTM8NPT	59.5	29.8	36.9	19.1	21.8	79.4	39.7	28.9	15.9	23.8	22.8
3/4	3/4	12TTM12NPT	59.5	29.8	36.9	19.1	21.8	79.4	39.7	28.9	15.9	23.8	24.4
1	3/4	16TTM12NPT	71.4	35.7	40.1	19.1	31.4	97.6	48.8	38.1	22.2	31.8	42.4

*316 Stainless Steel

*Fractional sizes 1/4" to 1"

*Silver plated nuts

DIMENSIONS SUBJECT TO CHANGE, PLEASE CONTACT US IF CRITICAL