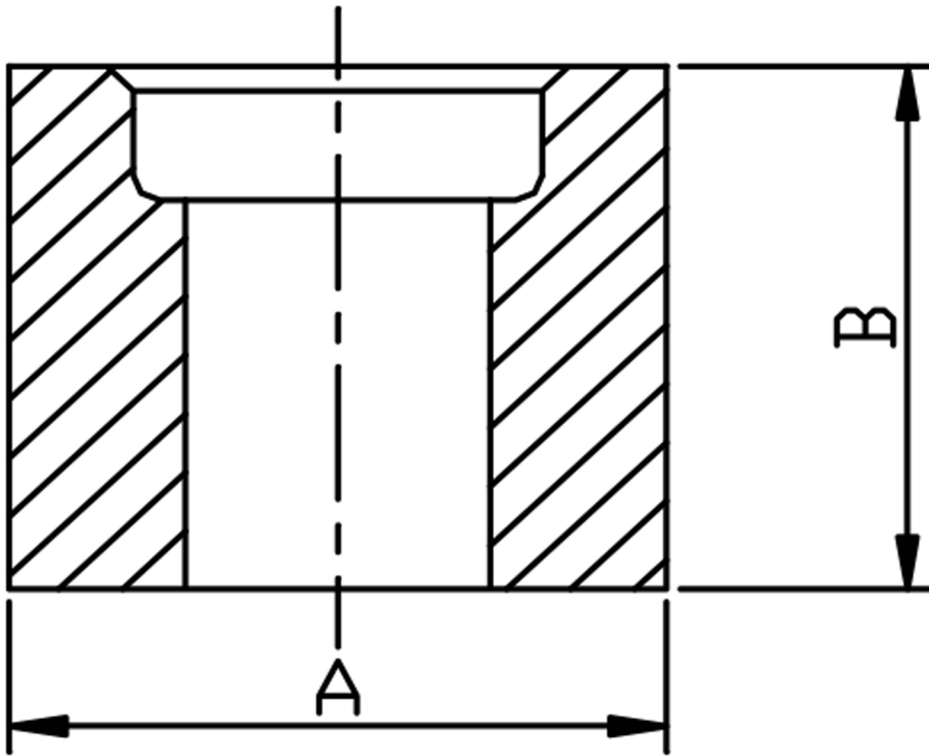


HALF COUPLING SOCKET WELD 316L



SIZE	PART No	A	B	Kg/100
1/8	3HS02SW	19	25	4.5
1/4	3HS04SW	22	25	5.5
3/8	3HS06SW	25	25	6.6
1/2	3HS08SW	32	32	13.8
3/4	3HS12SW	38	37	16.6
1	3HS16SW	48	41	30.2
1-1/4	3HS20SW	57	43	47.2
1-1/2	3HS24SW	64	45	58.3
2	3HS32SW	76	57	94.2

*Socket weld ends (SW)

*Dimensions to ANSI B16.11/BS3799

*3000 LB rating

*Sizes 1/8" to 2"

*316L stainless steel

*Larger sizes are available

DIMENSIONS SUBJECT TO CHANGE, PLEASE CONTACT US IF CRITICAL