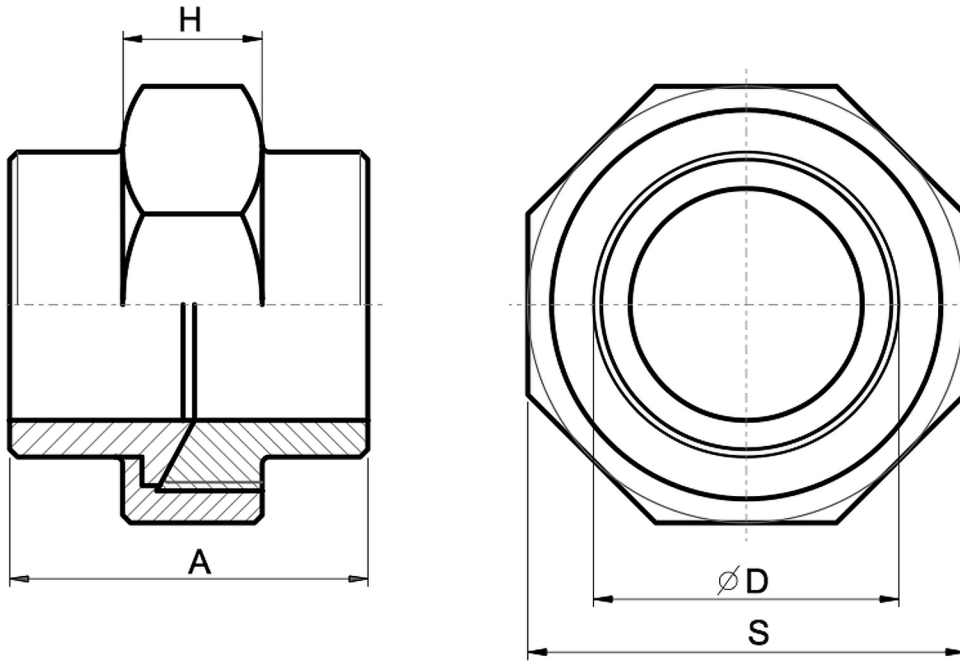


UNION CONICAL BUTT WELD 316L



SIZE NB PIPE	PART No	A	H	D	S	Kg/100
1/8	UCBW02	40	14	10.29	29	7.5
1/4	UCBW04	38	13.5	13.72	29	7.1
3/8	UCBW06	38.5	14.5	17.15	34	8.3
1/2	UCBW08	40	14.5	21.34	37.5	10.7
3/4	UCBW12	41	14	26.67	44.5	14.2
1	UCBW16	47	17	33.40	53.5	23.6
1-1/4	UCBW20	48.5	17	42.16	64	33.7
1-1/2	UCBW24	51	18	48.26	71.5	43.7
2	UCBW32	56.5	21	60.33	85.5	64.9

*Pressure rating up to 20 BAR (300 PSI)

*Butt weld ends with chamfer

*316 CF8M stainless steel

*Investment castings

*Sizes 1/8" to 2"

****DIMENSIONS SUBJECT TO CHANGE, PLEASE CONTACT US IF CRITICAL****