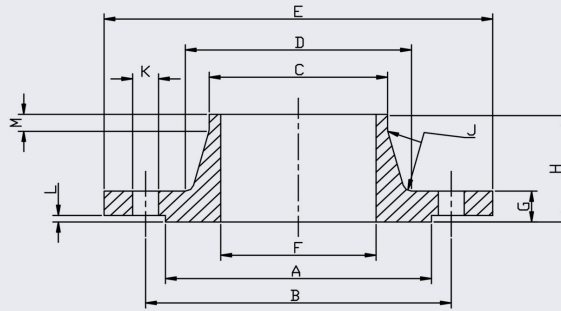
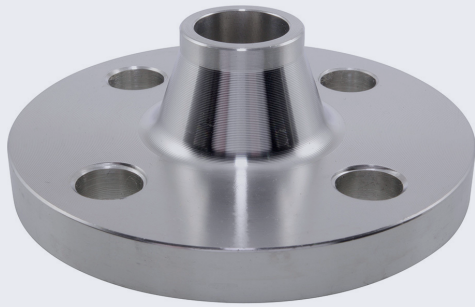


PN16 Weld Neck Flange (316/L)



This flange conforms to EN 1092-1 and is available in both 316/L and 304/L.

Full material traceability is available and 3.1B certification can be provided upon request.

Bolt kit sizes shown in the above table are for bolting two flanges together including the thickness of a gasket. If using a wafer pattern valve, longer bolts will be required.

| PIPE SIZE | DN | SCHEDULE 10 | SCHEDULE 40 | A | B | C | D | E | F SCH10 | F SCH40 | G | H | J | K | L | M | BOLT | KG EACH | BOLT KIT CODE |
|-----------|-----|----------------|--------------------|-----|-----|-------|-----|-----|---------|---------|----|----|----|----|---|----|--------|---------|---------------|
| 1/2 | 15 | F1620.5 | F1620.5/S40 | 45 | 65 | 21.3 | 32 | 95 | 17.3 | 15.8 | 14 | 35 | 3 | 14 | 3 | 6 | 4XM12 | 0.65 | BK03 |
| 3/4 | 20 | F1620.75 | F1620.75/S40 | 58 | 75 | 26.9 | 39 | 105 | 22.3 | 21.2 | 16 | 38 | 4 | 14 | 3 | 6 | 4XM12 | 0.95 | BK03 |
| 1 | 25 | F1621.0 | F1621.0/S40 | 68 | 85 | 33.7 | 46 | 115 | 28.5 | 26.9 | 16 | 38 | 4 | 14 | 3 | 6 | 4XM12 | 1.14 | BK03 |
| 1.25 | 32 | F1621.25 | F1621.25/S40 | 78 | 100 | 42.4 | 56 | 150 | 36.6 | 35.3 | 16 | 40 | 5 | 18 | 3 | 6 | 4XM16 | 1.69 | BK04 |
| 1.5 | 40 | F1621.5 | F1621.5/S40 | 88 | 110 | 48.3 | 64 | 150 | 43.1 | 40.9 | 16 | 42 | 5 | 18 | 3 | 7 | 4XM16 | 1.86 | BK04 |
| 2 | 50 | F1622.0 | F1622.0/S40 | 102 | 125 | 60.3 | 74 | 165 | 54.5 | 52.5 | 18 | 45 | 5 | 18 | 3 | 8 | 4XM16 | 2.53 | BK04 |
| 2.5 | 65 | F1622.5 | F1622.5/S40 | 122 | 145 | 76.1 | 92 | 185 | 70.3 | 65.8 | 18 | 45 | 6 | 18 | 3 | 10 | 4XM16 | 3.06 | BK04 |
| 2.5 | 65 | F1622.5/8 HOLE | F1622.5/8 HOLE/S40 | 122 | 145 | 76.1 | 92 | 185 | 70.3 | 65.8 | 18 | 45 | 6 | 18 | 3 | 10 | 8XM16 | 3.06 | BK05 |
| 3 | 80 | F1623.0 | F1623.0/S40 | 138 | 160 | 88.9 | 110 | 200 | 82.5 | 77.9 | 20 | 50 | 6 | 18 | 3 | 10 | 8XM16 | 3.70 | BK07 |
| 4 | 100 | F1624.0 | F1624.0/S40 | 158 | 180 | 114.3 | 130 | 220 | 107.1 | 102.3 | 20 | 52 | 6 | 18 | 3 | 12 | 8XM16 | 4.62 | BK07 |
| 5 | 125 | F1625.0 | F1625.0/S40 | 188 | 210 | 139.7 | 158 | 250 | 131.7 | 128.2 | 22 | 55 | 6 | 18 | 3 | 12 | 8XM16 | 6.30 | BK07 |
| 6 | 150 | F1626.0 | F1626.0/S40 | 212 | 240 | 168.3 | 184 | 285 | 159.3 | 154.1 | 22 | 55 | 8 | 22 | 3 | 12 | 8XM20 | 7.75 | BK10 |
| 8 | 200 | F1628.0 | F1628.0/S40 | 268 | 295 | 219.1 | 235 | 340 | 211.58 | 202.74 | 24 | 62 | 8 | 22 | 3 | 12 | 12XM20 | 11.00 | BK11 |
| 14 | 350 | F16214.0 | - | 438 | 470 | 355.6 | 390 | 520 | 346.04 | - | 30 | 82 | 12 | 26 | 4 | 16 | 16XM14 | 31.8 | BK21 |
| 16 | 400 | F16216.0 | - | 490 | 525 | 406.4 | 445 | 580 | 396.84 | - | 32 | 85 | 12 | 30 | 4 | 16 | 16XM27 | 40 | BK22 |

**** Dimensions subject to change - Please contact us if critical ****

Other products you might like...

We also keep Slip-On, Blind and Threaded flanges to this standard



We also keep Gaskets to suit all our Flanges in both EPDM and Non-Asbestos materials

