

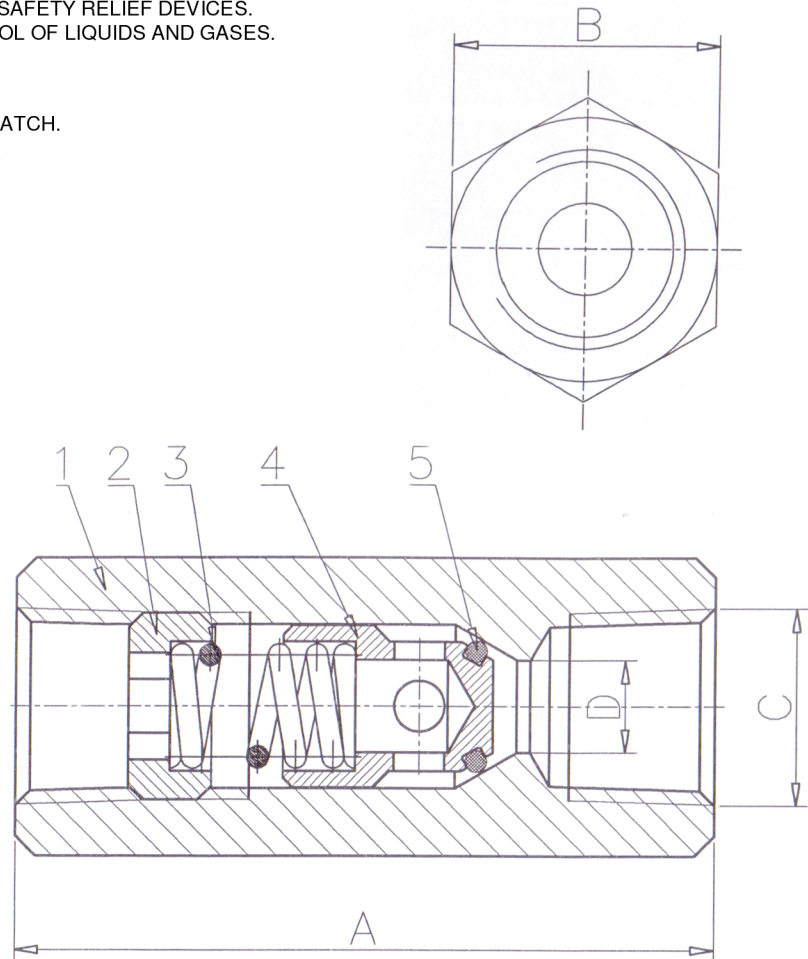
### PISTON CHECK VALVE BSPP

**FEATURES :**

- 1) CHECK VALVES ARE USED FOR CONTROLLING FLOW IN ONE DIRECTION ONLY.
- 2) CHECK VALVES SHOULD NEVER BE USED AS CODE SAFETY RELIEF DEVICES.
- 3) HIGH PRESSURE CHECK VALVES FOR FLOW CONTROL OF LIQUIDS AND GASES.

**NOTE :**

- 1) END CONNECTIONS ISO 228/1 BSPP
- 2) 100% VALVE ARE FACTORY TESTED PRIOS TO DESPATCH.
- 3) CRACKING PRESSURE 0.34 BAR/5 PSI
- 4) MADE FROM 316 STAINLESS STEEL
- 5) SIZES 1/4" TO 1"



| S.NO. | DESCRIPTION | QTY. | MATERIAL |
|-------|-------------|------|----------|
| 1     | VALVE BODY  | 1    | SS 316   |
| 2     | LOCK SCREW  | 1    | SS 316   |
| 3     | SPRING      | 1    | SS 316   |
| 4     | POPPET      | 1    | SS 316   |
| 5     | O-RING-1    | 1    | VITON    |

| SIZE BSPP | PART No | HEX  | L    | CRACKING PRESSURE (BAR) | Kg   |
|-----------|---------|------|------|-------------------------|------|
| 1/4       | PCV04   | 25.4 | 66.5 | 0.27                    | 0.15 |
| 3/8       | PCV06   | 25.4 | 66.5 | 0.27                    | 0.52 |
| 1/2       | PCV08   | 28.6 | 76.5 | 0.27                    | 0.46 |
| 3/4       | PCV12   | 32   | 76.3 | 0.27                    | 2.22 |
| 1         | PCV16   | 41   | 82.5 | 0.27                    | 1.80 |

**\*\*DIMENSIONS SUBJECT TO CHANGE, PLEASE CONTACT US IF CRITICAL\*\***