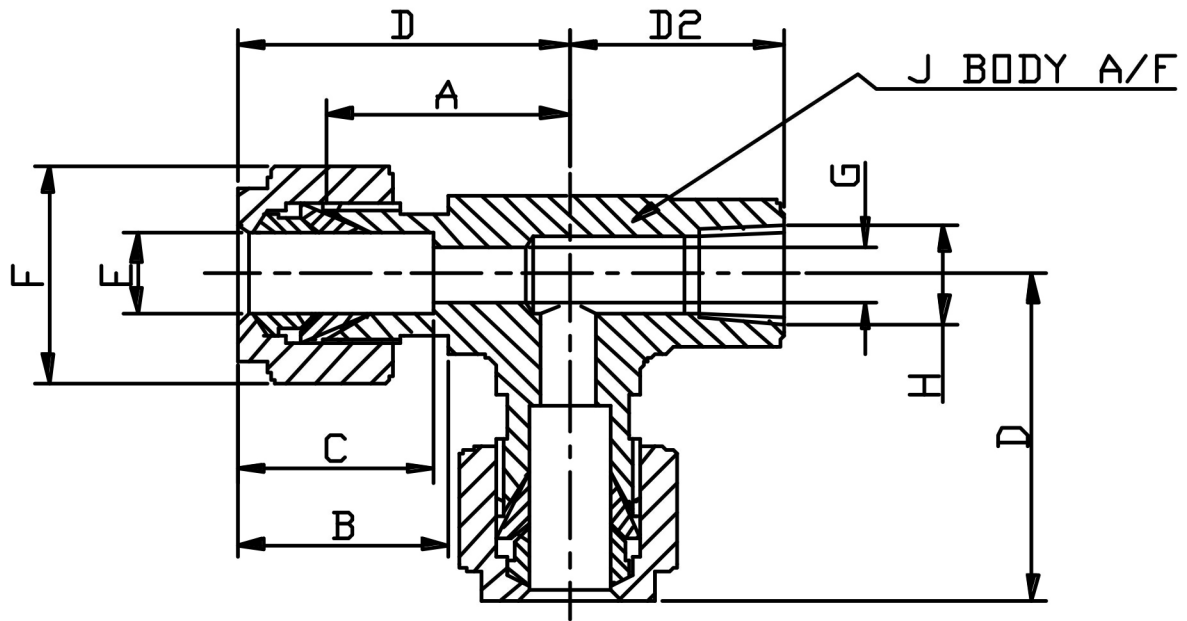


FEMALE RUN TEE NPT (FRACTIONAL)



| E TUBE | H THREAD | PART No | A | B | C | D | D2 | F HEX | G | J A/F | Kg/100 |
|--------|----------|----------|------|------|------|------|------|-------|------|-------|--------|
| 1/8 | 1/8 | 2TFT2NPT | 18.0 | 15.2 | 12.7 | 24.4 | 19.1 | 11.1 | 2.3 | 12.7 | 6.0 |
| 1/4 | 1/8 | 4TFT2NPT | 19.6 | 17.8 | 15.2 | 26.9 | 19.1 | 14.3 | 4.8 | 12.7 | 6.0 |
| 1/4 | 1/4 | 4TFT4NPT | 22.4 | 17.8 | 15.2 | 29.7 | 22.4 | 14.3 | 4.8 | 17.5 | 16.0 |
| 3/8 | 1/4 | 6TFT4NPT | 23.9 | 19.3 | 16.8 | 31.2 | 22.4 | 17.5 | 7.1 | 17.5 | 16.0 |
| 1/2 | 3/8 | 8TFT6NPT | 25.9 | 21.8 | 22.8 | 36.1 | 22.4 | 22.2 | 10.4 | 20.6 | 18.0 |
| 1/2 | 1/2 | 8TFT8NPT | 28.7 | 21.8 | 22.8 | 38.9 | 28.4 | 22.2 | 10.4 | 25.4 | 34.0 |

*316 Stainless Steel

*Fractional sizes 1/8" to 1/2"

*Silver plated nuts

DIMENSIONS SUBJECT TO CHANGE, PLEASE CONTACT US IF CRITICAL