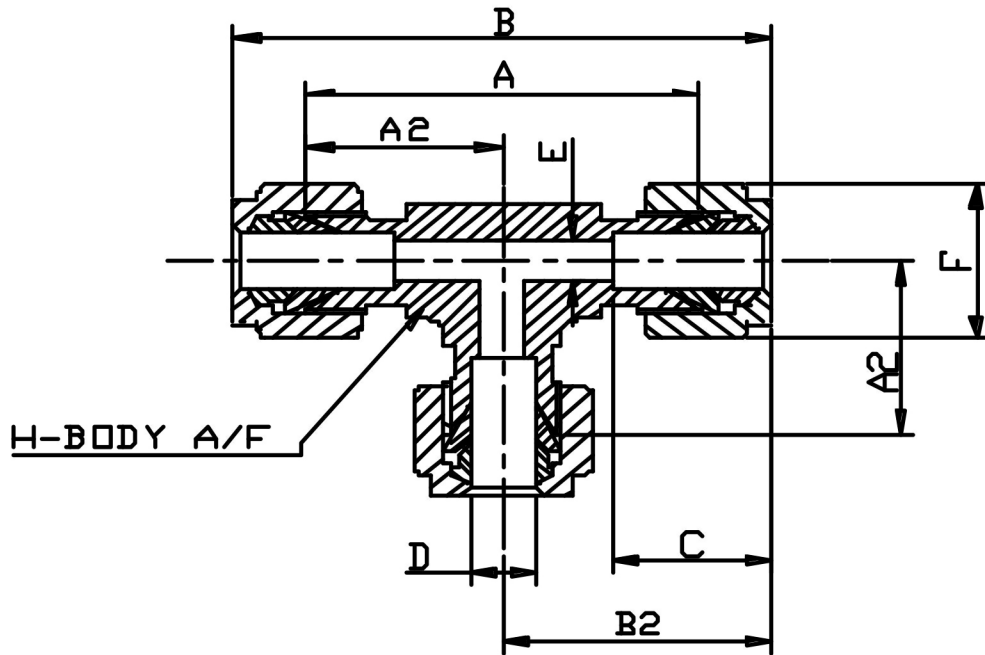


EQUAL TEE (FRACTIONAL)



D TUBE	PART No	A	A2	B	B2	C	E	F HEX	H A/F	Kg/100
1/8	2TTT	38.1	19.1	53.2	26.6	13.5	2.4	11.1	12.7	5.6
3/16	3TTT	39.7	19.8	54.0	26.7	13.5	3.2	12.7	12.7	5.7
1/4	4TTT	42.9	20.6	56.4	28.2	15.1	4.8	14.3	12.7	6.6
5/16	5TTT	46.0	22.2	61.1	30.6	16.7	6.4	15.9	14.3	9.2
3/8	6TTT	47.6	23.0	61.1	30.6	16.7	7.1	17.5	14.3	9.2
1/2	8TTT	50.8	25.0	70.6	35.3	23.0	10.3	22.2	17.5	16.4
5/8	10TTT	52.4	27.8	74.6	37.3	23.8	12.7	25.4	23.8	25.7
3/4	12TTT	58.7	29.8	80.2	39.7	24.6	15.9	28.6	23.8	32.0
1	16TTT	71.4	35.7	96.0	48.8	31.4	22.2	38.1	31.2	49.7

*316 Stainless Steel

*Fractional sizes 1/8" to 1"

*Silver plated nuts

DIMENSIONS SUBJECT TO CHANGE, PLEASE CONTACT US IF CRITICAL