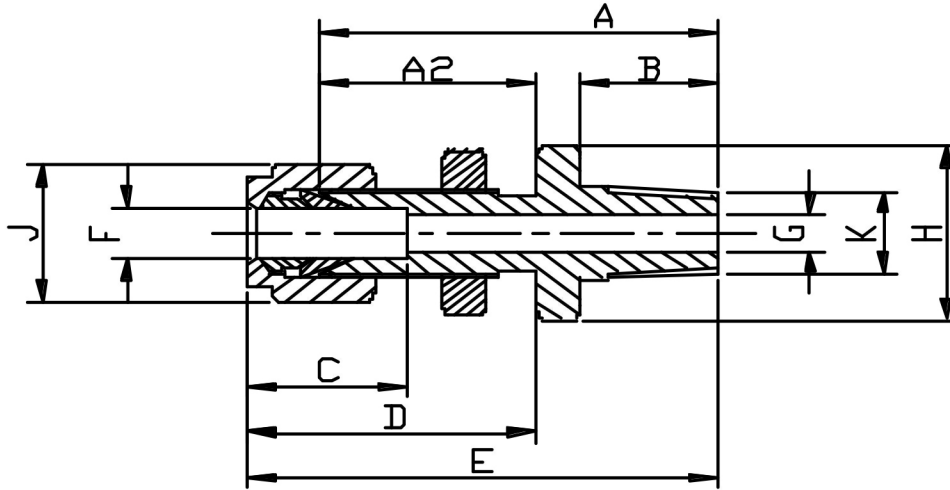


MALE BULKHEAD BSPT (METRIC)



F TUBE	K THREAD	PART No	A	A2	B	C	D	E	G	H HEX	J HEX	PANEL HOLE DRILL SIZE	PANEL THICKNESS MAX	Kg/100
6	1/8	6mMBH2BSPT	41.3	26.2	9.5	16.1	18.5	49.5	4.7	17	14	11.5	10	3.7
6	1/4	6mMBH4BSPT	46.0	26.2	14.3	16.1	18.5	54.2	4.7	17	14	11.5	10	5.0
10	1/4	10mMbh4BSPT	50.0	29.4	14.3	17.7	20.1	58.2	7.2	22	19	16.5	11	8.1
12	1/4	12mMBH4BSPT	53.2	31.8	14.3	23.5	22.7	64.0	7.2	24	22	19.5	12	11.1
12	1/2	12mMBH8BSPT	57.9	31.8	19.0	23.5	22.7	68.7	7.2	24	22	19.5	12	14.5

*316 Stainless Steel

*Metric sizes 6mm to 12mm

*Silver plated nuts

DIMENSIONS SUBJECT TO CHANGE, PLEASE CONTACT US IF CRITICAL