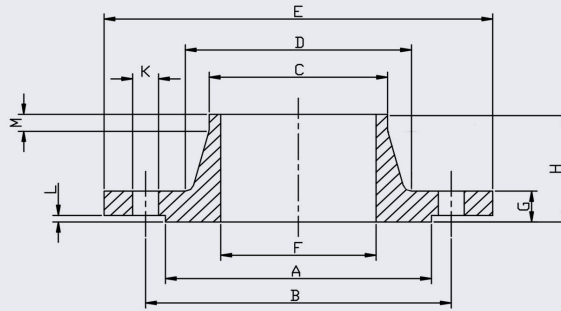
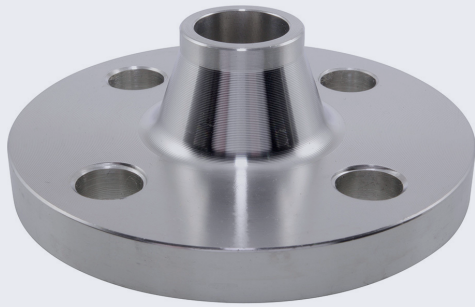


# PN16 Weld Neck Flange (316/L)



This flange conforms to EN 1092-1 and is available in both 316/L and 304/L.

Full material traceability is available and 3.1B certification can be provided upon request.

Bolt kit sizes shown in the above table are for bolting two flanges together including the thickness of a gasket. If using a wafer pattern valve, longer bolts will be required.

PIPE SIZE	DN	SCHEDULE 10	SCHEDULE 40	A	B	C	D	E	F SCH10	F SCH40	G	H	K	L	M	BOLT	KG EACH	BOLT KIT CODE
1/2	15	F1620.5	F1620.5/S40	45	65	21.3	32	95	17.3	15.8	14	35	14	3	6	4XM12	0.65	BK03
3/4	20	F1620.75	F1620.75/S40	58	75	26.9	39	105	22.3	21.2	16	38	14	3	6	4XM12	0.95	BK03
1	25	F1621.0	F1621.0/S40	68	85	33.7	46	115	28.5	26.9	16	38	14	3	6	4XM12	1.14	BK03
1.25	32	F1621.25	F1621.25/S40	78	100	42.4	56	150	36.6	35.3	16	40	18	3	6	4XM16	1.69	BK04
1.5	40	F1621.5	F1621.5/S40	88	110	48.3	64	150	43.1	40.9	16	42	18	3	7	4XM16	1.86	BK04
2	50	F1622.0	F1622.0/S40	102	125	60.3	74	165	54.5	52.5	18	45	18	3	8	4XM16	2.53	BK04
2.5	65	F1622.5	F1622.5/S40	122	145	76.1	92	185	70.3	65.8	18	45	18	3	10	4XM16	3.06	BK04
2.5	65	F1622.5/8 HOLE	F1622.5/8 HOLE/S40	122	145	76.1	92	185	70.3	65.8	18	45	18	3	10	8XM16	3.06	BK05
3	80	F1623.0	F1623.0/S40	138	160	88.9	110	200	82.5	77.9	20	50	18	3	10	8XM16	3.70	BK07
4	100	F1624.0	F1624.0/S40	158	180	114.3	130	220	107.1	102.3	20	52	18	3	12	8XM16	4.62	BK07
5	125	F1625.0	F1625.0/S40	188	210	139.7	158	250	131.7	128.2	22	55	18	3	12	8XM16	6.30	BK07
6	150	F1626.0	F1626.0/S40	212	240	168.3	184	285	159.3	154.1	22	55	22	3	12	8XM20	7.75	BK10
8	200	F1628.0	F1628.0/S40	268	295	219.1	235	340	211.58	202.74	24	62	22	3	12	12XM20	11.00	BK11
10	250	F16210.0	F16210.0/S40	320	355	273	292	405	264.62	254.46	26	70	26	3	16	12XM24	16.5	BK15
12	300	F16212.0	F16212.0/S40	378	410	323.9	344	460	314.76	304.84	28	78	26	4	16	12XM24	22	BK15
14	350	F16214.0	-	438	470	355.6	390	520	346.04	-	30	82	26	4	16	16XM14	31.8	BK21
16	400	F16216.0	-	490	525	406.4	445	580	396.84	-	32	85	30	4	16	16XM27	40	BK22

**\*\* Dimensions subject to change - Please contact us if critical \*\***

## Other products you might like...

We also keep Slip-On, Blind and Threaded flanges to this standard



We also keep Gaskets to suit all our Flanges in both EPDM and Non-Asbestos materials

