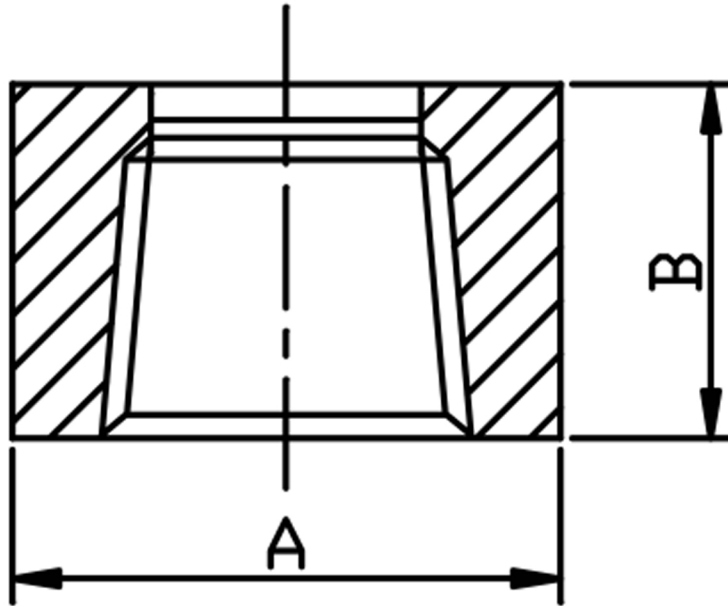


HALF COUPLING NPT 316L



SIZE	PART No	A	B	Kg/100
1/8	3HS02N	16	16	2.0
1/4	3HS04N	19	18	2.9
3/8	3HS06N	22	19	3.0
1/2	3HS08N	29	24	6.6
3/4	3HS12N	35	25	10.8
1	3HS16N	45	30	21.9
1-1/4	3HS20N	57	33	36.7
1-1/2	3HS24N	64	40	51.0
2	3HS32N	76	43	71.5

*NPT threaded to ANSI B2.1

*Dimensions to ANSI B16.11/BS3799

*3000 LB rating

*Sizes 1/8" to 2"

*316L stainless steel

*Larger sizes are available

****DIMENSIONS SUBJECT TO CHANGE, PLEASE CONTACT US IF CRITICAL****