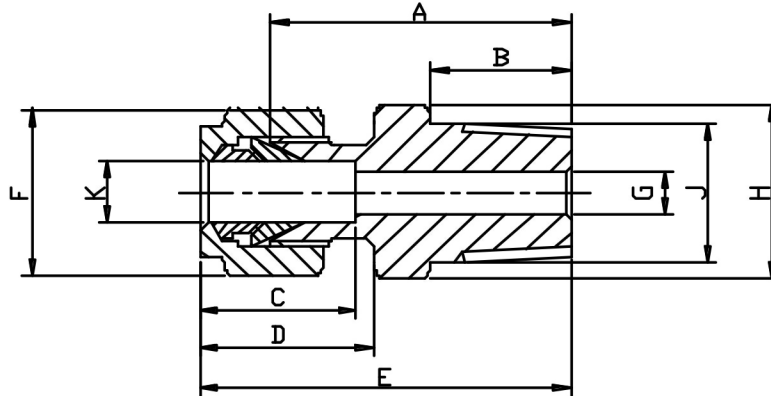


### MALE CONNECTOR BSPT (METRIC)



K TUBE	J THREAD	PART No	A	B	C	D	E	F HEX	G	H HEX	Kg/100
4	1/8	4mMC2BSPT	25.4	9.5	14.5	16.9	32.8	13	2.8	13	2.2
4	1/4	4mMC4BSPT	30.2	14.3	14.5	16.9	37.6	13	2.8	14	3.0
6	1/8	6mMC2BSPT	25.4	9.5	16.1	18.5	33.6	14	4.7	14	2.5
6	1/4	6mMC4BSPT	30.2	14.3	16.1	18.5	38.4	14	4.7	14	3.1
6	3/8	6mMC6BSPT	31.0	14.3	16.1	18.5	39.2	14	4.7	17	4.7
6	1/2	6mMC8BSPT	36.5	19.1	16.1	18.5	44.7	14	4.7	22	7.1
8	1/4	8mMC4BSPT	31.8	14.3	16.9	19.3	40.0	16	6.4	14	3.9
8	3/8	8mMC6BSPT	31.8	14.3	16.9	19.3	40.0	16	6.4	17	4.7
10	1/4	10mMC4BSPT	32.5	14.3	17.7	20.1	40.7	19	7.1	17	4.8
10	3/8	10mMC6BSPT	32.5	14.3	17.7	20.1	40.7	19	7.9	17	5.5
10	1/2	10mMC8BSPT	38.1	19.1	17.7	20.1	46.3	19	7.9	22	7.3
12	1/4	12mMC4BSPT	33.3	14.3	23.5	22.7	44.1	22	7.1	22	7.1
12	3/8	12mMC6BSPT	33.3	14.3	23.5	22.7	44.1	22	9.5	22	7.6
12	1/2	12mMC8BSPT	38.1	19.1	23.5	22.7	48.9	22	9.5	22	9.7
12	3/4	12mMC12BSPT	38.9	19.1	23.5	22.7	49.2	22	10.3	29	11.2
15	1/4	15mMC4BSPT	38.9	19.1	23.5	22.7	49.2	25	11.8	22	10.0
15	3/8	15mMC6BSPT	38.9	19.1	23.5	22.7	49.2	25	11.8	22	11.0
15	1/2	15mMC8BSPT	38.9	19.1	23.5	22.7	49.2	25	11.8	22	11.5
15	3/4	15mMC12BSPT	38.9	19.1	23.5	22.7	49.2	25	11.8	27	12.0
16	1/2	16mMC8BSPT	38.9	19.1	25.1	22.7	49.7	25	12.7	24	10.6
16	3/4	16mMC12BSPT	38.9	19.1	25.1	22.7	49.7	25	12.7	27	12.7
20	1/2	20mMC8BSPT	40.5	19.1	25.1	22.7	51.3	30	12.7	29	13.7
20	3/4	20mMC12BSPT	40.5	19.1	25.1	22.7	51.3	30	16.7	29	15.4
22	1/2	22mMC8BSPT	42.2	19.1	25.1	22.7	52.3	32	18.3	29	17.4
22	3/4	22mMC12BSPT	42.2	19.1	25.1	22.7	52.3	32	18.3	29	18.2
25	3/4	25mMC12BSPT	44.5	19.1	31.8	27.0	57.2	38	18.3	35	20.6
25	1	25mMC16BSPT	50.0	23.8	31.8	27.0	62.7	38	22.2	38	27.1

\*316 Stainless Steel

\*Metric sizes 4mm to 25mm

\*Silver plated nuts

\*\*DIMENSIONS SUBJECT TO CHANGE, PLEASE CONTACT US IF CRITICAL\*\*