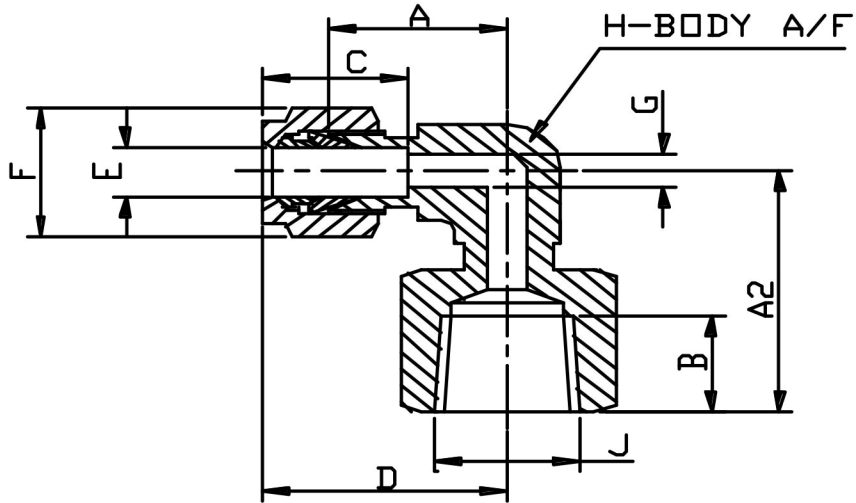


FEMALE STUD ELBOW NPT (FRACTIONAL)



E TUBE	J THREAD	PART No	A	A2	B	C	D	F HEX	G	H A/F	Kg/100
1/4	1/8	4FE2NPT	22.2	22.2	9.9	15.1	28.2	14.3	4.8	12.7	4.7
1/4	1/4	4FE4NPT	22.2	30.2	15.1	15.1	29.8	14.3	4.8	14.3	6.1
3/8	1/4	6FE4NPT	23.8	30.2	15.1	16.7	31.4	17.5	5.6	14.3	7.3
1/2	1/4	8FE4NPT	26.2	31.8	15.1	23.0	36.5	22.2	5.6	17.5	13.4
1/2	1/2	8FE8NPT	30.2	41.3	19.8	23.0	40.5	22.2	10.3	23.8	21.9
3/4	3/4	12FE12NPT	31.4	33.3	20.6	24.6	41.3	28.6	15.9	23.8	39.4

*316 Stainless Steel

*Fractional sizes 1/4" to 3/4"

*Silver plated nuts

DIMENSIONS SUBJECT TO CHANGE, PLEASE CONTACT US IF CRITICAL