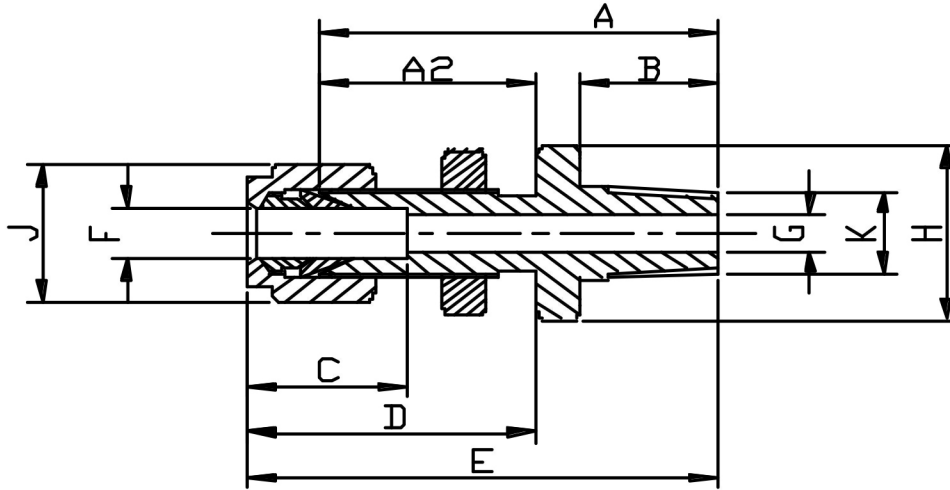


MALE BULKHEAD BSPT (FRACTIONAL)



F TUBE	K THREAD	PART No	A	A2	B	C	D	E	G	H HEX	J HEX	PANEL HOLE DRILL SIZE	PANEL THICKNESS MAX	Kg/100
1/4	1/8	4MBH2BSPT	41.3	27.8	9.5	15.1	17.9	48.8	4.8	17.5	14.3	11.5	10.3	4.2
1/4	1/4	4MBH4BSPT	46.0	26.2	14.3	13.1	17.9	53.6	4.8	17.5	14.3	11.5	10.3	5.6
3/8	1/4	6MBH4BSPT	50.0	29.4	14.3	16.7	19.5	57.6	7.1	19.1	17.5	14.7	11.1	6.6
1/2	1/4	8MBH4BSPT	53.2	31.8	14.3	23.0	21.8	63.5	10.3	23.8	22.2	19.5	12.7	10.4
1/2	1/2	8MBH8BSPT	57.9	31.8	19.1	23.0	21.8	42.9	10.3	23.8	22.2	19.5	12.7	13.7

*316 Stainless Steel

*Fractional sizes 1/4" to 1/2"

*Silver plated nuts

DIMENSIONS SUBJECT TO CHANGE, PLEASE CONTACT US IF CRITICAL