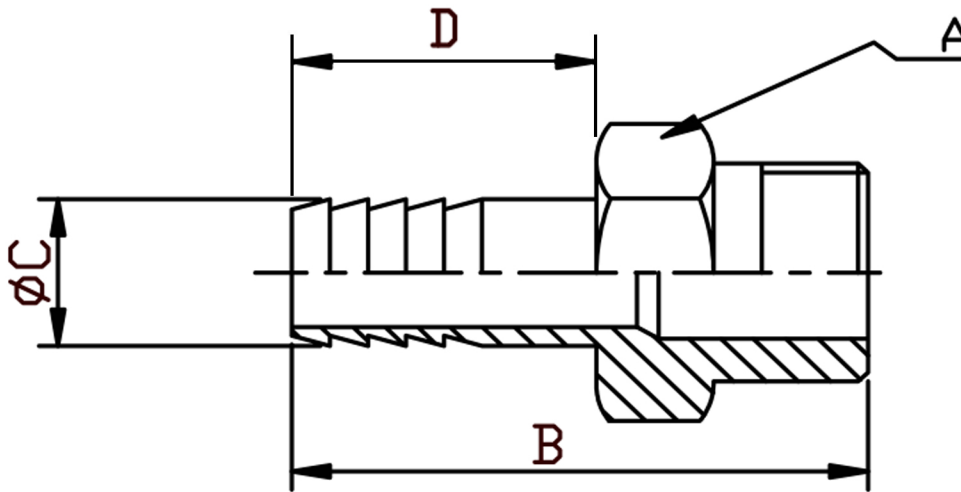


HOSETAIL BSPT 316L



SIZE THREAD	SIZE C HOSE	PART No	A	B	D	Kg/100
1/8	3.50	HT02	13.9	34.9	20	2.1
1/8	5.00	HT03	13.9	40	25	2.5
1/4	6.30	HT04	15	38	20	3.3
1/4	8.00	HT05	14.5	47.2	29.2	3.4
3/8	9.50	HT06	19	51.5	32	5.7
1/2	12.70	HT08	23.2	6.3	38.5	6.05
1/2	16.00	HT10	23.2	6.3	38.8	6.10
3/4	19.05	HT12	29	66	38	10.05
1	25.40	HT16	34.8	71	42.2	21.25
1-1/4	31.80	HT20	45	77.8	46	24.75
1-1/2	38.10	HT24	50	89.5	55	38.15
2	50.80	HT32	61.3	96.2	59.5	60.5
2-1/2	63.50	HT40	78.5	116.5	72	92.85
3	76.20	HT48	93.5	128	80.6	138.7
4	101.60	HT64	118.5	138	84	222.9

*Pressure rating up to 20 BAR (300 PSI)

*Male threads are BSPT (Taper) to ISO 7-1

*316 CF8M stainless steel

*Investment castings

*Sizes 1/8" to 4"

DIMENSIONS SUBJECT TO CHANGE, PLEASE CONTACT US IF CRITICAL