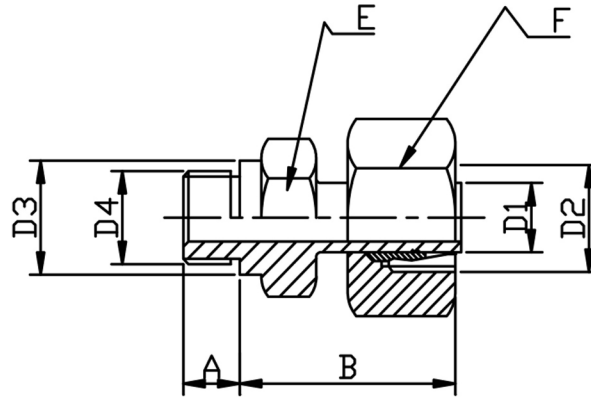


ADJUSTABLE MALE STANDPIPE BSPP



TUBE	D4 BSPP	PART No	A	B	D1	D2	D3	E	F	PN BAR	Kg 100	
LIGHT SERIES												
6	1/8	AMS06L18BSPP	8	24.5	6	M12 x 1.5	14	14	14	315	2.3	
8	1/4	AMS08L14BSPP	12	29.5	8	M14 x 1.5	18	17	17		5.2	
10	1/4	AMS10L14BSPP	12	27.5	10	M16 x 1.5	19	19	19		4.8	
12	3/8	AMS12L38BSPP	12	34.0	12	M18 x 1.5	22	22	22		8.6	
15	1/2	AMS15L12BSPP	14	32.0	15	M22 x 1.5	26	27	27		11.9	
18	1/2	AMS18L12BSPP	14	31.5	18	M26 x 1.5	27	27	32		13.3	
22	3/4	AMS22L34BSPP	16	32.5	22	M30 x 2	32	32	36	160	18.7	
28	1	AMS28L1BSPP	18	35.0	28	M36 x 2	39	41	41		26.6	
35	1-1/4	AMS25L114BSPP	20	42.5	35	M45 x 2	49	50	50		44.1	
42	1-1/2	AMS42L112BSPP	22	46.5	42	M52 x 2	55	55	60		63.4	
HEAVY SERIES												
6	1/4	AMS06S14BSPP	12	27.0	6	M14 X 1.5	19	19	17	630	4.5	
8	1/4	AMS08S14BSPP	12	29.5	8	M16 X 1.5	18	19	19		5.6	
10	3/8	AMS10S38BSPP	12	32.0	10	M18 X 1.5	22	22	22		8.4	
12	3/8	AMS12S38BSPP	12	34.0	12	M20 X1.5	22	22	24		9.6	
12	1/2	AMS12S12BSPP	14	34.5	12	M20 X1.5	26	27	24		14.5	
14	1/2	AMS14S12BSPP	14	36.5	14	M22 X1.5	26	27	27		14.7	
16	1/2	AMS16S12BSPP	14	37.0	16	M24 X1.5	26	27	30	400	15.8	
16	3/4	AMS16S34BSPP	16	39.0	16	M24 X1.5	32	32	30		20.0	
20	3/4	AMS20S34BSPP	16	43.0	20	M30 X 2	32	32	36		25.6	
25	1	AMS25S1BSPP	18	48.0	25	M36 X 2	39	41	46		49.9	
30	1-1/4	AMS30S114BSPP	20	51.0	30	M42 X 2	49	50	50		66.6	
38	1-1/2	AMS38S114BSPP	22	60.0	38	M52 X 2	55	55	60		315	95.7

*316Ti Stainless Steel

*Pressures up to 630 BAR

*Dimensions to EN ISO 8434-1/DIN 2353

*Sizes 6mm to 42mm

DIMENSIONS SUBJECT TO CHANGE, PLEASE CONTACT US IF CRITICAL