



| SIZE | CODE | | DIMENSIONS | | |
|-------|------|-------|------------|------|---------|
| | BSP | NPT | A | B | KG EACH |
| 1/8 | HP02 | HP02N | 16.8 | 17.7 | 0.01 |
| 1/4 | HP04 | HP04N | 16.8 | 17.7 | 0.02 |
| 3/8 | HP06 | HP06N | 18 | 18.5 | 0.02 |
| 1/2 | HP08 | HP08N | 22 | 19.5 | 0.03 |
| 3/4 | HP12 | HP12N | 28 | 22 | 0.05 |
| 1 | HP16 | HP16N | 35 | 24.8 | 0.08 |
| 1-1/4 | HP20 | HP20N | 44 | 28.8 | 0.14 |
| 1-1/2 | HP24 | HP24N | 50 | 28.8 | 0.16 |
| 2 | HP32 | HP32N | 62 | 33.5 | 0.27 |
| 2-1/4 | HP36 | - | 69 | 37 | 0.32 |
| 2-1/2 | HP40 | HP40N | 78 | 34 | 0.37 |
| 3 | HP48 | HP48N | 91 | 37.5 | 0.54 |
| 4 | HP64 | HP64N | 116 | 44 | 0.94 |

**** DIMENSIONS SUBJECT TO CHANGE - PLEASE CONTACT US IF CRITICAL ****

NERO's range of Hex Plugs are available threaded BSPT and NPT. They are made from high quality investment castings to ISO4144 or above.

BSP threads are to ISO 228-1 and 7-1

NPT threads are to ANSI B2.1

Made from 316 (CF8M) stainless steel

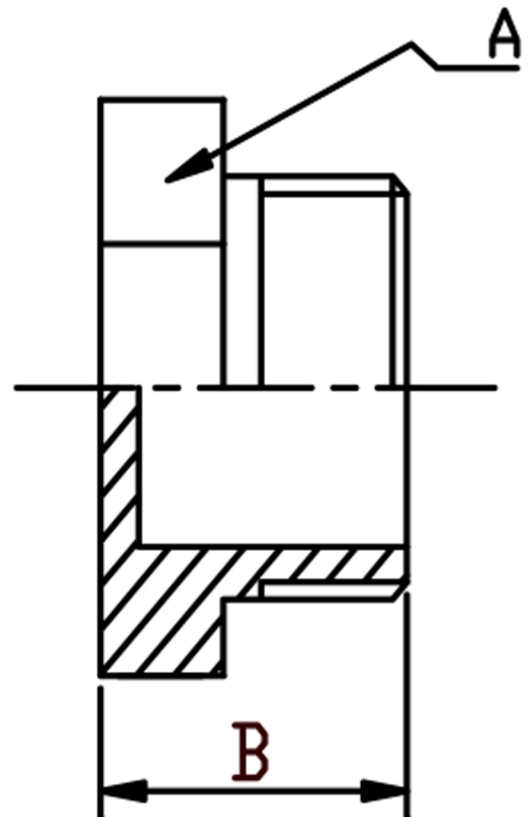


TABLE 1: PRESSURE-TEMPERATURE RATING

| TEMPERATURE (°C) | NO-SHOCK MAXIMUM WORKING PRESSURE (Bar) |
|------------------|---|
| -20 to 40 | 20 |
| 100 | 16.5 |
| 150 | 15 |
| 200 | 14 |
| 220 | 13.5 |

Note 1 Pressure for Intermediate temperatures may be determined by the interpolation method

Note 2 Temperatures indicated are those of the Internal fluid

Note 3 Piping loads, stresses And moments are not taken into account



5 STAR ★★★★★
CUSTOMER SERVICE



SAME DAY DISPATCH -
ORDERS PLACED BEFORE 4:30PM



WEALTH OF
INDUSTRY KNOWLEDGE



ONE OF THE LARGEST
STOCKISTS IN THE UK