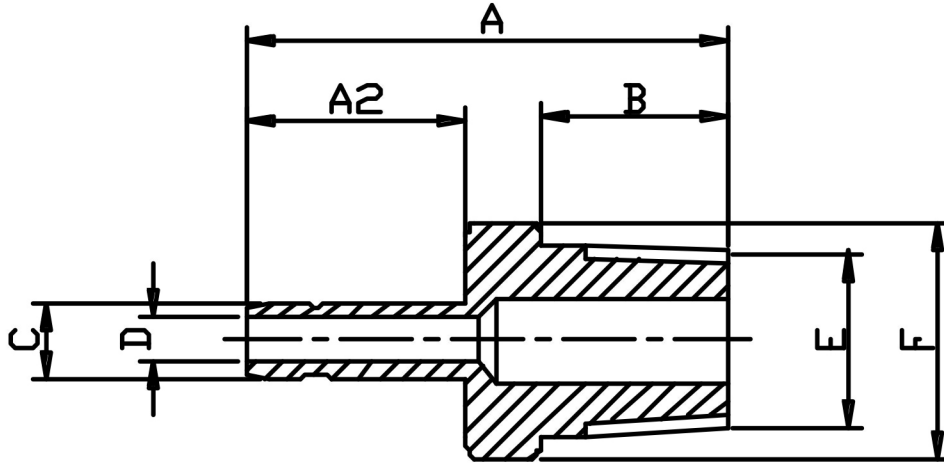


MALE STANDPIPE ADAPTOR NPT (METRIC)



C	E THREAD	PART No	A	A2	B	D	F HEX	Kg/100
4	1/8	4mATPM2NPT	28.6	13.5	9.5	2.0	11	1.0
6	1/8	6mATPM2NPT	31.8	16.7	9.5	4.0	11	1.4
6	1/4	6mATPM4NPT	36.5	16.7	14.3	4.0	14	1.7
6	1/2	6mATPM8NPT	42.9	16.7	19.1	4.0	22	4.9
10	1/4	10mATPM4NPT	38.1	18.3	14.3	7.1	14	2.1
10	3/8	10mATPM6NPT	38.9	18.3	14.3	7.1	17	2.8
10	1/2	10mATPM8NPT	44.5	18.3	19.1	7.1	22	5.1
12	1/4	12mATPM4NPT	44.5	23.8	14.3	7.1	14	2.8
12	3/8	12mATPM6NPT	44.5	23.8	14.3	8.3	17	3.8
12	1/2	12mATPM8NPT	50.0	23.8	19.1	8.3	22	5.9
12	3/4	12mATPM12NPT	50.8	23.8	19.1	8.3	29	8.7
15	1/2	15mATPM8NPT	51.2	24.2	19.1	11.8	22	8.8
16	1/2	16mATPM8NPT	52.4	25.4	19.1	12.3	22	6.1
16	3/4	16mATPM12NPT	52.4	25.4	19.1	12.3	29	7.6
20	3/4	20mATPM12NPT	56.3	27.0	19.1	16.5	29	9.1
20	1	20mATPM16NPT	61.9	27.0	23.8	15.5	38	13.8
25	3/4	25mATPM12NPT	60.7	32.1	19.1	19.1	29	12.3

*316 Stainless Steel

*Metric sizes 4mm to 25mm

DIMENSIONS SUBJECT TO CHANGE, PLEASE CONTACT US IF CRITICAL