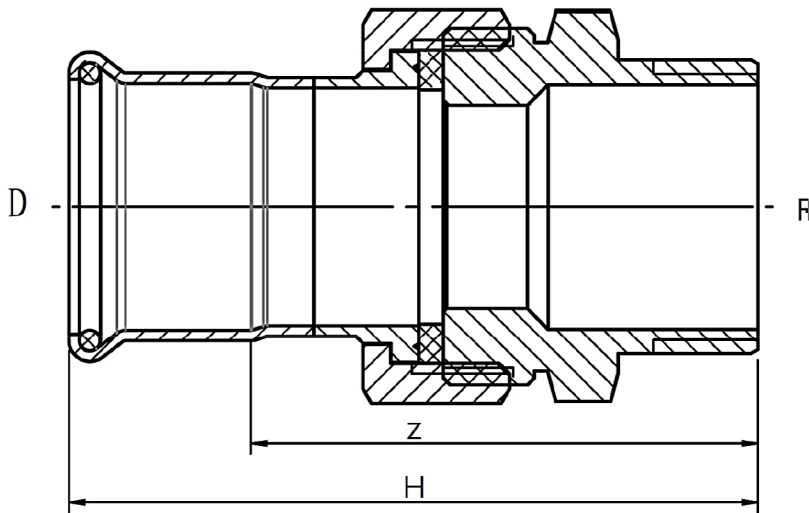


### MALE UNION COUPLING



SIZE	PART No	D	R	H	Z	WEIGHT
						KG EACH
15x1/2"	PFMU15X1/2BSPT	15	1/2	70	50	0.092
15x3/4"	PFMU15X3/4BSPT	15	3/4	74	54	0.134
18x1/2"	PFMU18X1/2BSPT	18	1/2	74	54	0.136
18x3/4"	PFMU18X3/4BSPT	18	3/4	74	54	0.137
22x1/2"	PFMU22X1/2BSPT	22	1/2	76	55	0.14
22x3/4"	PFMU22X3/4BSPT	22	3/4	82	61	0.192
22x1"	PFMU22X1BSPT	22	1	86	65	0.207
28x1"	PFMU28X1BSPT	28	1	93	70	0.336
35x11/4"	PFMU35X114BSPT	35	11/4	102	76	0.463
42x11/2"	PFMU42X112BSPT	42	11/2	107	77	0.563
54x2"	PFMU54X2BSPT	54	2	118	83	0.843

\*316L/1.4404 SS

\*-35°C to +135°C (EPDM Seal)

\*-20°C to +200°C (Optional FPM Seal)

\*Maximum 16 BAR Operating pressure

\*WRAS/DVGW Approved

\*Sizes 15MM to 108MM

\*Female threads Parallel Rp to EN10226-1/ISO7-1

\*Male threads Taper Rc to EN10226-1/ISO7-1

**\*\*DIMENSIONS SUBJECT TO CHANGE, PLEASE CONTACT US IF CRITICAL\*\***