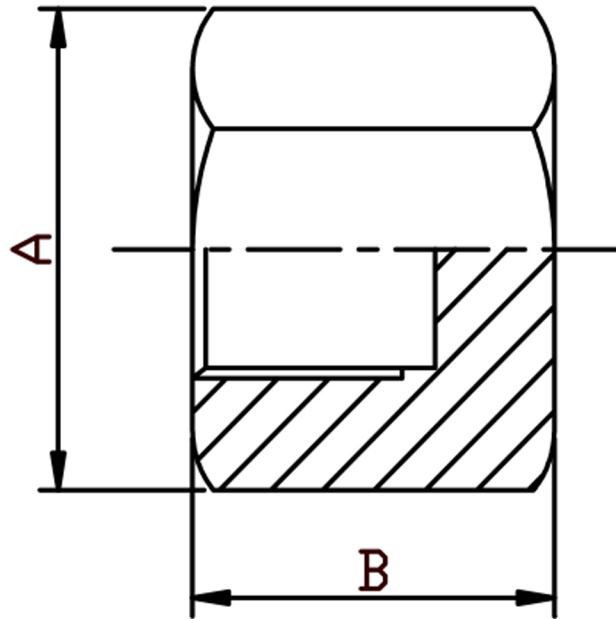


HEXAGON CAP NPT 316L



SIZE	PART No	A	B	Kg/100
1/4	HC04N	16	15	1.51
3/8	HC06N	19.5	15.4	2.12
1/2	HC08N	24	17.1	3.58
3/4	HC12N	29.5	18.5	5.52
1	HC16N	36.5	21	9.42
1-1/4	HC20N	45.5	23.7	14.72
1-1/2	HC24N	52	23.7	17.27
2	HC32N	64	27.5	27.12

*Pressure rating up to 20 BAR (300 PSI)

*Threads are NPT to ANSI B2.1

*316 CF8M stainless steel

*Investment castings

*Sizes 1/4" to 2"

****DIMENSIONS SUBJECT TO CHANGE, PLEASE CONTACT US IF CRITICAL****