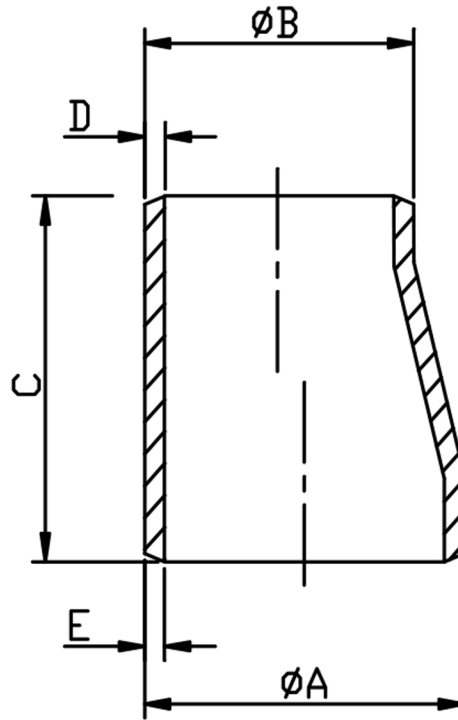


ECCENTRIC REDUCER SCH40 316/L



SIZE	PART No	A OD	B OD	C	D	E	Kg/100
3/4 X 1/2	BER1208/4	26.6	21.3	38.1	2.77	2.87	10.5
1 X 1/2	BER1608/4	33.4	21.3	50.8	2.77	3.38	10.5
1 X 3/4	BER1612/4	33.4	26.6	50.8	2.87	3.38	11.6
1-1/4 X 1	BER2016/4	42.1	33.4	50.8	3.38	3.56	15.7
1-1/2 X 1/2	BER2408/4	48.3	21.3	63.5	2.77	3.68	20.4
1-1/2 X 3/4	BER2412/4	48.3	26.6	63.5	2.87	3.68	21.0
1-1/2 X 1	BER2416/4	48.3	33.4	63.5	3.56	3.68	21.9
1-1/2 X 1-1/4	BER2420/4	48.3	42.1	63.5	3.56	3.68	26.3
2 X 3/4	BER3212/4	60.3	26.6	76.2	2.87	3.91	29.8
2 X 1	BER3216/4	60.3	33.4	76.2	3.38	3.91	32.2
2 X 1-1/4	BER3220/4	60.3	42.1	76.2	3.56	3.91	35.2
2 X 1-1/2	BER3224/4	60.3	48.3	76.2	3.68	3.91	37.2
2-1/2 X 1-1/2	BER4024/4	73.0	48.3	88.9	3.68	5.16	66.1
2-1/2 X 2	BER4032/4	73.0	60.3	88.9	3.91	5.16	68.0
3 X 1-1/2	BER4824/4	88.9	48.3	88.9	3.68	5.49	78.3
3 X 2	BER4832/4	88.9	60.3	88.9	3.91	5.49	84.6
3 X 2-1/2	BER4840/4	88.9	73.0	88.9	5.16	5.49	98.3
4 X 2	BER6432/4	114.3	60.3	101.6	3.91	6.02	127.0
4 X 2-1/2	BER6440/4	114.3	73.0	101.6	5.16	6.02	137.0
4 X 3	BER6448/4	114.3	88.9	101.6	5.49	6.02	145.0
5 X 3	BER8048/4	141.3	88.9	127.0	5.49	6.55	227.0
5 X 4	BER8064/4	141.3	114.3	127.0	6.02	6.55	250.0
6 X 3	BER9648/4	168.3	88.9	139.7	5.49	7.11	304.0
6 X 4	BER9664/4	168.3	114.3	139.7	6.02	7.11	330.0
6 X 5	BER9680/4	168.3	141.3	139.7	6.55	7.11	357.0

*Conforming to ASTM A403, ANSI B16.9, ANSI B16.28
 *316/L Stainless steel Welded
 *Schedule 40S Wall thickness
 *Sizes 1/2" to 6" Nominal Bore

DIMENSIONS SUBJECT TO CHANGE, PLEASE CONTACT US IF CRITICAL