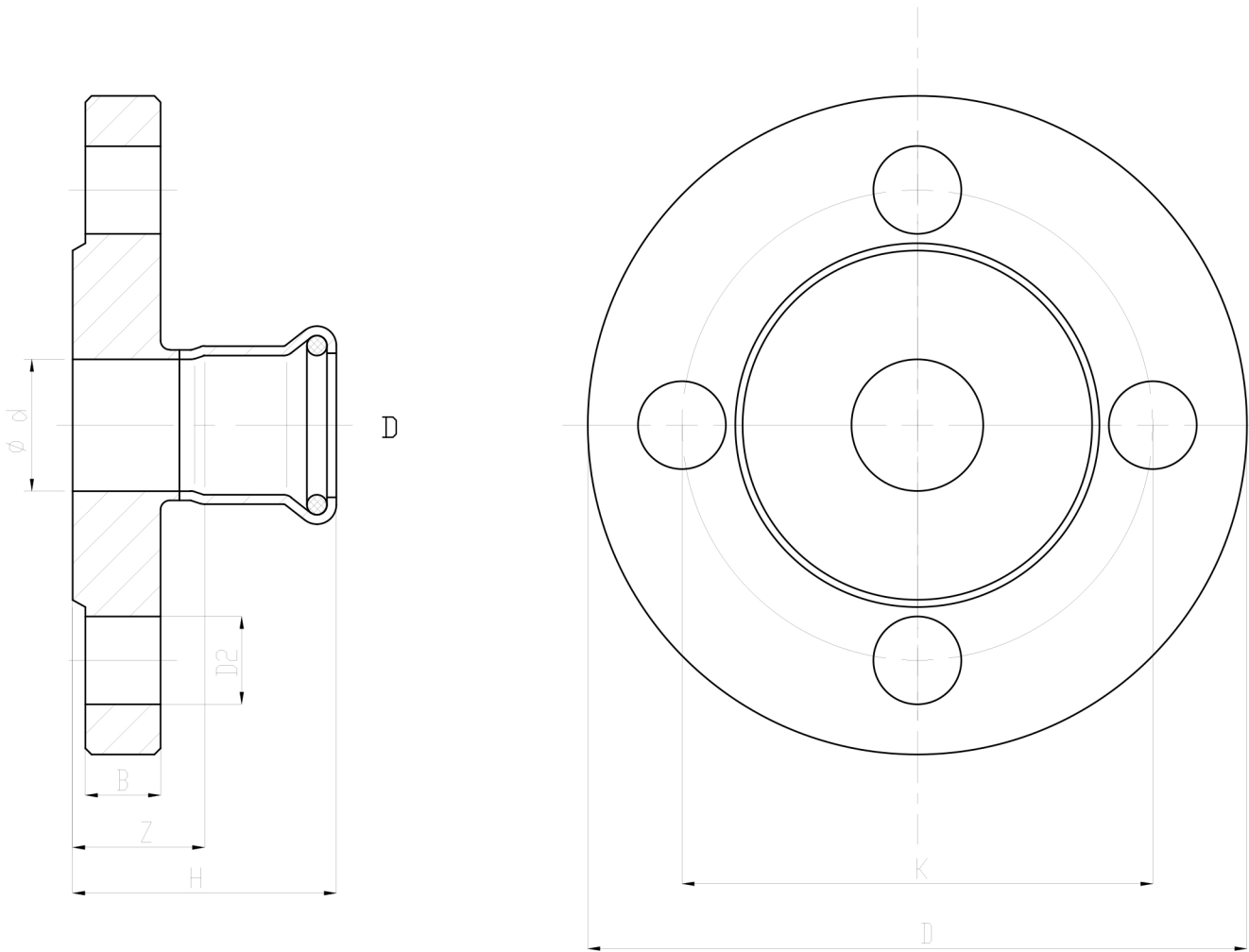


FLANGE COUPLING



SIZE	PART No	D1	D	K	B	H	Z	D2	N	WEIGHT
										KG EACH
15	PFFLC15	15	95	65	11	43	23	14	4	0.585
18	PFFLC18	18	95	65	11	43	23	14	4	0.55
22	PFFLC22	22	105	75	12	47	26	14	4	0.774
28	PFFLC28	28	115	85	14	54	31	14	4	1.057
35	PFFLC35	35	140	100	15	62	36	18	4	1.708
42	PFFLC42	42	150	110	16	70	40	18	4	2.104
54	PFFLC54	54	165	125	18	84	49	18	4	2.834
76.1	PFFLC76.1	76.1	185	145	18	129	76	18	4	3.624
88.9	PFFLC88.9	88.9	200	160	20	148	88	18	8	4.444
108	PFFLC108	108	220	180	20	173	98	18	8	5.384

*316L/1.4404 SS

*-35°C to +135°C (EPDM Seal)

*-20°C to +200°C (Optional FPM Seal)

*Maximum 16 BAR Operating pressure

*WRAS/DVGW Approved

*Sizes 15MM to 108MM

*Female threads Parallel Rp to EN10226-1/ISO7-1

*Male threads Taper Rc to EN10226-1/ISO7-1

****DIMENSIONS SUBJECT TO CHANGE, PLEASE CONTACT US IF CRITICAL****