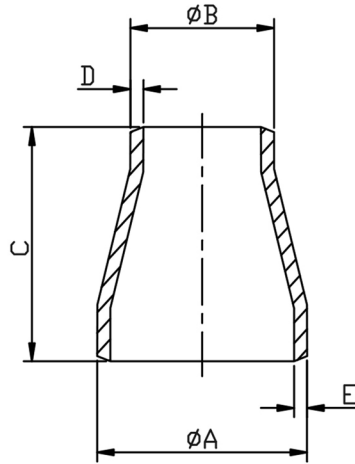


CONCENTRIC REDUCER SCH10 316/L



SIZE	PART No	A OD	B OD	C	D	E	Kg/100
3/4 X 3/8	BCR1206/1	26.6	17.15	35.2	2.11	2.11	8
3/4 X 1/2	BCR1208/1	26.6	21.3	38.1	2.11	2.11	9
1 X 1/2	BCR1608/1	33.4	21.3	50.8	2.11	2.77	9
1 X 3/4	BCR1612/1	33.4	26.6	50.8	2.11	2.77	9.8
1-1/4 X 1/2	BCR2008/1	42.1	21.3	50.8	2.11	2.77	11.9
1-1/4 X 3/4	BCR2012/1	42.1	26.6	50.8	2.11	2.77	12.3
1-1/4 X 1	BCR2016/1	42.1	33.4	50.8	2.77	2.77	12.5
1-1/2 X 1/2	BCR2408/1	48.3	21.3	63.5	2.11	2.77	15.4
1-1/2 X 3/4	BCR2412/1	48.3	26.6	63.5	2.11	2.77	15.6
1-1/2 X 1	BCR2416/1	48.3	33.4	63.5	2.77	2.77	17
1-1/2 X 1-1/4	BCR2420/1	48.3	42.1	63.5	2.77	2.77	19.5
2 X 1/2	BCR3208/1	60.3	21.3	76.2	2.11	2.77	20.2
2 X 3/4	BCR3212/1	60.3	26.6	76.2	2.11	2.77	21.4
2 X 1	BCR3216/1	60.3	33.4	76.2	2.77	2.77	23.7
2 X 1-1/4	BCR3220/1	60.3	42.1	76.2	2.77	2.77	25.8
2 X 1-1/2	BCR3224/1	60.3	48.3	76.2	2.77	2.77	27.3
2-1/2 X 1	BCR4016/1	73	33.4	76.2	2.77	3.05	31.2
2-1/2 X 1-1/4	BCR4020/1	73	42.1	76.2	2.77	3.05	33.4
2-1/2 X 1-1/2	BCR4024/1	73	48.3	88.9	2.77	3.05	39.6
2-1/2 X 2	BCR4032/1	73	60.3	88.9	2.77	3.05	43.2
3 X 1	BCR4816/1	88.9	33.4	88.9	2.77	3.05	43.9
3 X 1-1/4	BCR4820/1	88.9	42.1	88.9	2.77	3.05	44.1
3 X 1-1/2	BCR4824/1	88.9	48.3	88.9	2.77	3.05	44.4
3 X 2	BCR4832/1	88.9	60.3	88.9	2.77	3.05	47.8
3 X 2-1/2	BCR4840/1	88.9	73	88.9	3.05	3.05	54.8
4 X 1-1/2	BCR6424/1	114.3	48.3	101.6	2.77	3.05	59.9
4 X 2	BCR6432/1	114.3	60.3	101.6	2.77	3.05	65.6
4 X 2-1/2	BCR6440/1	114.3	73	101.6	3.05	3.05	70.6
4 X 3	BCR6448/1	114.3	88.9	101.6	3.05	3.05	74.8
5 X 3	BCR8048/1	141.3	88.9	127	3.05	3.40	120
5 X 4	BCR8064/1	141.3	114.3	127	3.05	3.40	132
6 X 3	BCR9648/1	168.3	88.9	139.7	3.05	3.40	150
6 X 4	BCR9664/1	168.3	114.3	139.7	3.05	3.40	162
6 X 5	BCR9680/1	168.3	141.3	139.7	3.40	3.40	175
8 X 4	BCR12864/1	219.1	114.3	152	3.05	3.76	192
8 X 5	BCR12880/1	219.1	141.3	152	3.40	3.76	201
8 X 6	BCR12896/1	219.1	168.3	152	3.40	3.76	212
10 X 6	BCR160128/1	273.0	168.3	178	3.40	4.19	545
10 X 8	BCR160128/1	273.0	219.1	178	3.40	4.19	545

- *Conforming to ASTM A403, ANSI B16.9, ANSI B16.28
- *316/L Stainless steel Welded
- *Schedule 10S Wall thickness
- *Sizes 3/8" to 10" Nominal Bore

DIMENSIONS SUBJECT TO CHANGE, PLEASE CONTACT US IF CRITICAL