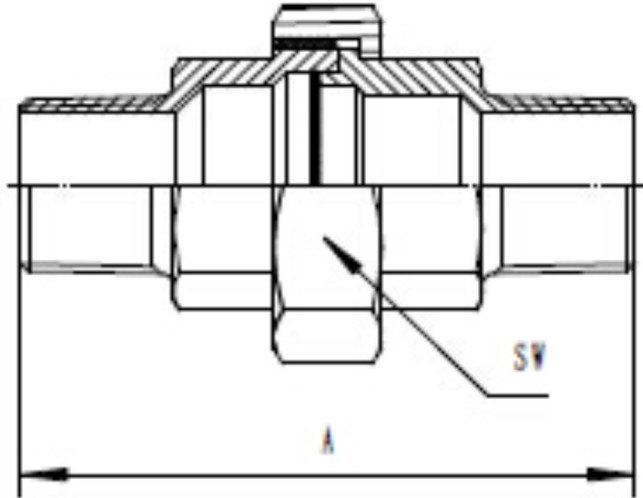


UNION CONICAL MALE/MALE BSP 316L



SIZE	PART No	SW	A	Kg/100
1/8	UCMM02	29.1	52	8.90
1/4	UCMM04	29.1	55.5	10.85
3/8	UCMM06	34	60.5	15.20
1/2	UCMM08	37.5	66	16.35
3/4	UCMM12	44.5	72.5	23.05
1	UCMM16	53.5	84.5	40.15
1-1/4	UCMM20	64	90	54.40
1-1/2	UCMM24	71.5	99	72.35
2	UCMM32	85.5	110	105.45

- *Pressure rating up to 20 BAR (300 PSI)
- *Male threads are BSPT (Taper) to ISO 7-1
- *316 CF8M stainless steel
- *Investment castings
- *Sizes 1/8" to 2"

****DIMENSIONS SUBJECT TO CHANGE, PLEASE CONTACT US IF CRITICAL****