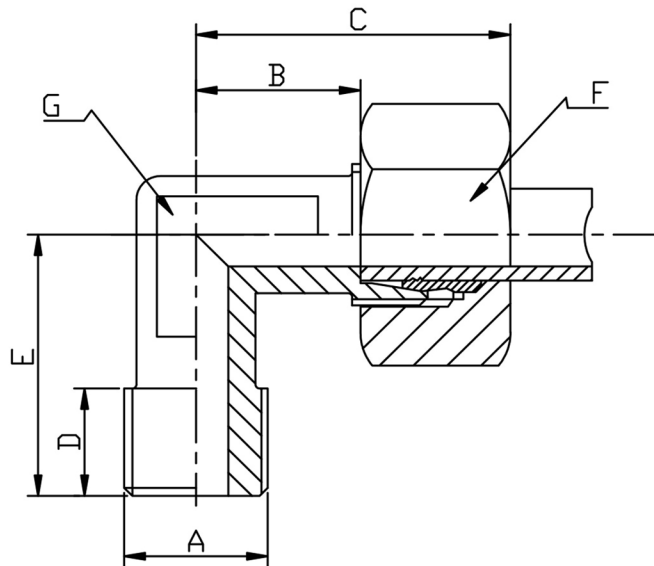


MALE STUD ELBOW NPT



TUBE	A NPT	PART No	E	D	B	C	F	G	PN BAR	Kg 100
LIGHT SERIES										
4	1/8	MSE04LL18NPT	17	9.9	11.0	21	10	11	100	2.1
6	1/8	MSE06LL18NPT	17	9.9	9.5	21	12	11		2.4
8	1/8	MSE08LL18NPT	20	9.9	11.5	23	14	13		3.3
6	1/8	MSE06L18NPT	20	9.9	12.0	27	14	12	315	3.2
6	1/4	MSE06L14NPT	26	15.1	12.0	27	14	12		4.0
8	1/4	MSE08L14NPT	26	15.1	14.0	29	17	12		4.6
10	1/4	MSE10L14NPT	27	15.1	15.0	30	19	14		5.7
12	1/4	MSE12L14NPT	28	15.1	17.0	32	22	17		7.9
12	3/8	MSE12L38NPT	28	15.2	17.0	32	22	17		8.1
12	1/2	MSE12L12NPT	34	19.8	17.0	32	22	19		10.0
15	1/2	MSE15L12NPT	34	19.8	21.0	36	27	19		13.5
18	1/2	MSE18L12NPT	36	19.8	23.5	40	32	24		19.4
22	3/4	MSE22L34NPT	42	20.1	27.5	44	36	27		26.7
28	1	MSE28L1NPT	48	25.0	30.5	47	41	37	160	38.5
35	1-1/4	MSE35L114NPT	54	25.6	34.5	56	50	41		57.5
42	1-1/2	MSE42L112NPT	61	26.0	40.0	63	60	50		83.0
HEAVY SERIES										
6	1/4	MSE06S14NPT	26	15.1	16.0	31	17	12	630	5.6
8	1/4	MSE08S14NPT	27	15.1	17.0	32	19	14		6.9
10	3/8	MSE10S38NPT	28	15.2	17.5	34	22	19		13.5
12	1/4	MSE12S14NPT	28	15.1	21.5	38	24	17		11.0
12	3/8	MSE12S38NPT	28	15.2	21.5	38	24	17		11.2
12	1/2	MSE12S12NPT	28	19.8	21.5	38	24	17		13.5
14	1/2	MSE14S12NPT	34	19.8	22.0	40	27	19		15.6
16	1/2	MSE16S12NPT	36	19.8	24.5	43	30	24	400	19.5
20	3/4	MSE20S34NPT	42	20.1	26.5	48	36	27		31.4
25	1	MSE25S1NPT	48	25.0	30.0	54	46	36		60.2
30	1-1/4	MSE30S114NPT	54	25.6	35.5	62	50	41		82.0
38	1-1/2	MSE38S112NPT	61	26.0	41.0	72	60	50		315

*316Ti Stainless Steel

*Pressures up to 630 BAR

*Dimensions to EN ISO 8434-1/DIN 2353

*Sizes 4mm to 42mm

DIMENSIONS SUBJECT TO CHANGE, PLEASE CONTACT US IF CRITICAL