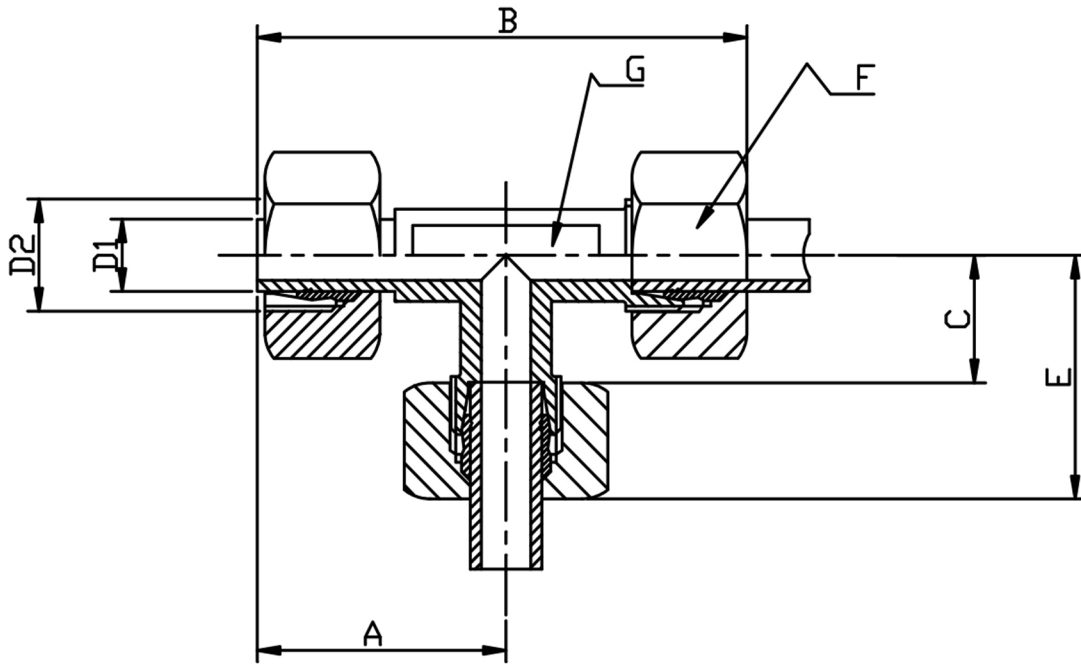


ADJUSTABLE STANDPIPE RUN TEE



TUBE	PART No	A	B	C	D1	D2	E	F	G	PN BAR	Kg 100
LIGHT SERIES											
6	ASRT06L	26.0	53	12.0	6	M12 X 1.5	27	14	12	315	6.3
8	ASRT08L	27.5	56	14.0	8	M14 X 1.5	29	17	12		8.1
10	ASRT10L	29.0	59	15.0	10	M16 X 1.5	30	19	14		10.1
12	ASRT12L	30.0	62	17.0	12	M18 X 1.5	32	22	17		13.1
15	ASRT15L	33.0	70	21.0	15	M22 X 1.5	36	27	19		22.4
18	ASRT18L	36.0	76	23.5	18	M26 X 1.5	40	32	24		33.1
22	ASRT22L	39.0	83	27.5	22	M30 X 2	44	36	27	160	47.8
28	ASRT28L	41.5	91	30.5	28	M36 X 2	47	41	36		60.4
35	ASRT35L	51.0	111	34.5	35	M45 X 2	56	50	41		89.1
42	ASRT42L	56.0	123	40.0	42	M52 X 2	63	60	50		132.6
HEAVY SERIES											
6	ASRT06S	27.0	58	16.0	6	M14 X 1.5	31	17	12	630	9.1
8	ASRT08S	27.5	61	17.0	8	M16 X 1.5	32	19	14		11.9
10	ASRT10S	30.0	66	17.5	10	M18 X 1.5	34	22	17		16.6
12	ASRT12S	31.0	71	21.5	12	M20 X 1.5	38	24	17		20.2
14	ASRT14S	35.0	76	22.0	14	M22 X 1.5	40	27	19		27.9
16	ASRT16S	37.0	80	24.5	16	M24 X 1.5	43	30	24	400	37.1
20	ASRT20S	44.5	93	26.5	20	M30 X 2	48	36	27		56.9
25	ASRT25S	50.5	105	30.0	25	M36 X 2	54	46	36		110.6
30	ASRT30S	55.0	119	35.5	30	M42 X 2	62	50	41		137.3
38	ASRT38S	63.0	139	41.0	38	M52 X 2	72	60	50		315

*316Ti Stainless Steel

*Pressures up to 630 BAR

*Dimensions to EN ISO 8434-1/DIN 2353

*Sizes 6mm to 42mm

DIMENSIONS SUBJECT TO CHANGE, PLEASE CONTACT US IF CRITICAL