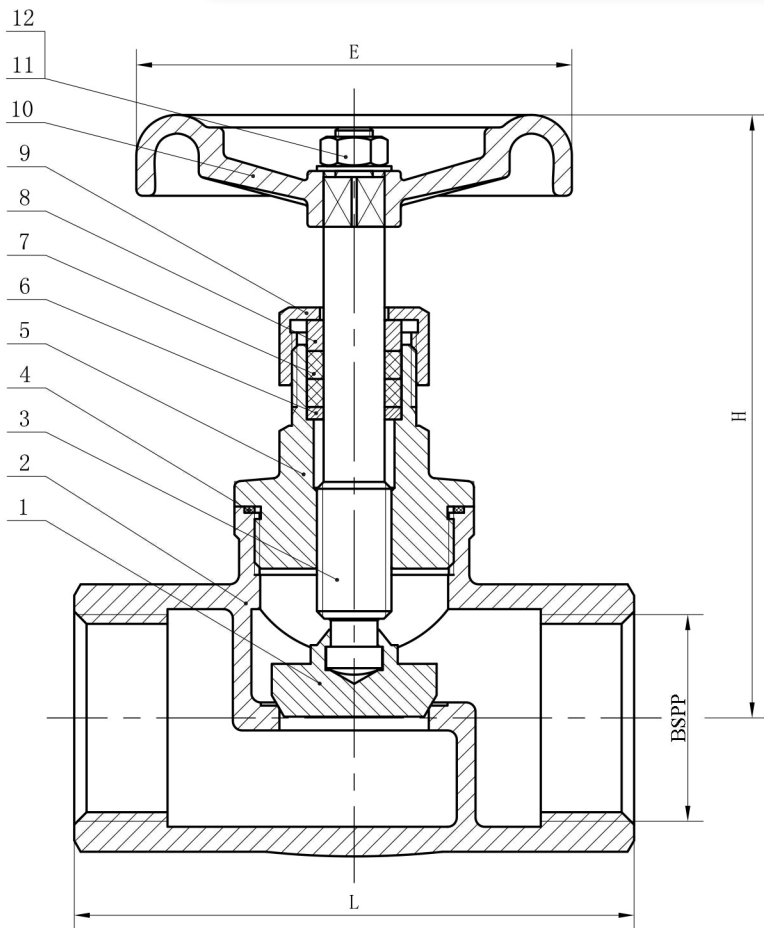
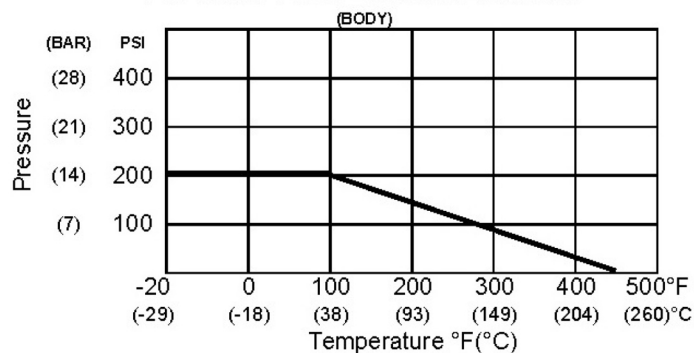


### GLOBE VALVE BSPP



Main Technical Parameter		
Normal pressure	200	PSi
Test pressure	Shell test pressure	3.8
	Tightness test	2.8
	Gas-Tightness test	0.6
Max working temperature	-20~180	°C
Applicable medium: water, gas, oil, acid		

#### PRESSURE TEMPERATURE RATINGS



No.	Parts name	Material	No.	Parts name	Material
1	Disc	ASTM A276 316	9	Cap Nut	ASTM A351 CF8M
2	Body	ASTM A351 CF8M	10	Handwheel	QT400-18
3	Stem	ASTM A276 316	11	Spring washer	ASTM A193-B8
4	Gasket	PTFE	12	Handle nut	ASTM A194-B8M
5	Cap	ASTM A351 CF8M	13		
6	Packing seat	ASTM A276 304	14		
7	V-Ring Packing	PTFE	15		
8	Gland	ASTM A276 304	16		

Sizes : 1/4" to 2"  
 Pressure : 200PSI (14 BAR)  
 Temperature : -20F to 450F (-29C to 232C)  
 Rising stem & wheel  
 Thread to ISO 228/1 BSPP  
 Material : CF8M 316  
 For chemical and industrial applications  
 Inspection test to API 598

SIZE BSPP	PART No	L	H	E	CV FACTOR	Kg
1/4	GLV04	65	82	70	6	0.40
3/8	GLV06	65	82	70	12	0.35
1/2	GLV08	65	82	70	19	0.35
3/4	GLV12	80	90	70	37	0.60
1	GLV16	90	97	70	64	0.80
1 1/4	GLV20	105	116	90	103	1.24
1 1/2	GLV24	120	125	90	143	1.80
2	GLV32	140	139	90	360	2.50

\*\*DIMENSIONS SUBJECT TO CHANGE, PLEASE CONTACT US IF CRITICAL\*\*