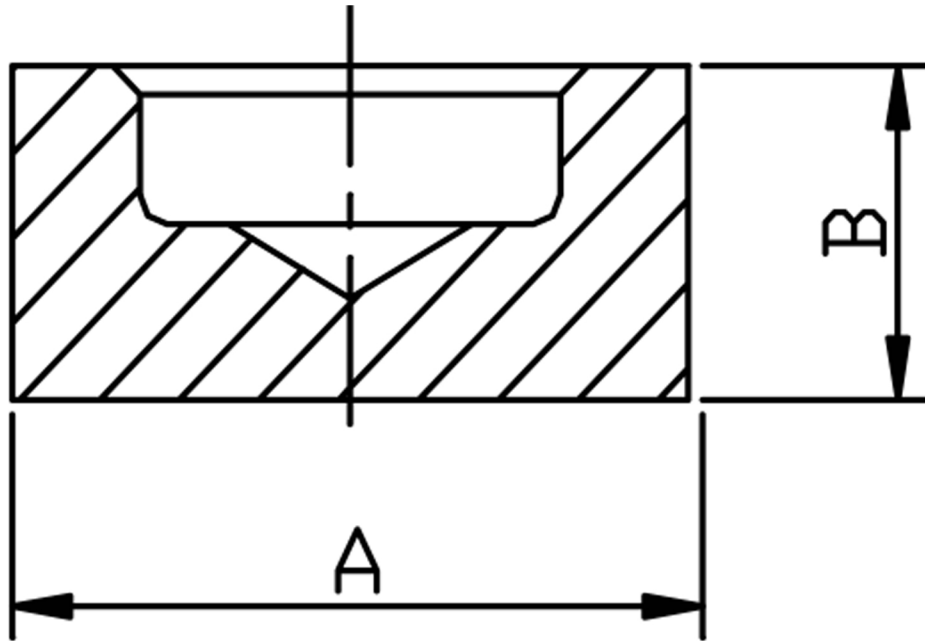


### ROUND CAP SOCKET WELD 316L



SIZE	PART No	A	B	Kg/100
1/8	3RC02SW	19	14	3.0
1/4	3RC04SW	22	20	3.5
3/8	3RC06SW	26	20	5.3
1/2	3RC08SW	32	20	9.3
3/4	3RC12SW	38	25	11.6
1	3RC16SW	45	26	22.0
1-1/4	3RC20SW	55	30	38.1
1-1/2	3RC24SW	60	31	40.4
2	3RC32SW	75	38	72.2

\*Socket weld ends (SW)

\*Dimensions to ANSI B16.11/BS3799

\*3000 LB rating

\*Sizes 1/8" to 2"

\*316L stainless steel

\*Larger sizes are available

\*\*DIMENSIONS SUBJECT TO CHANGE, PLEASE CONTACT US IF CRITICAL\*\*