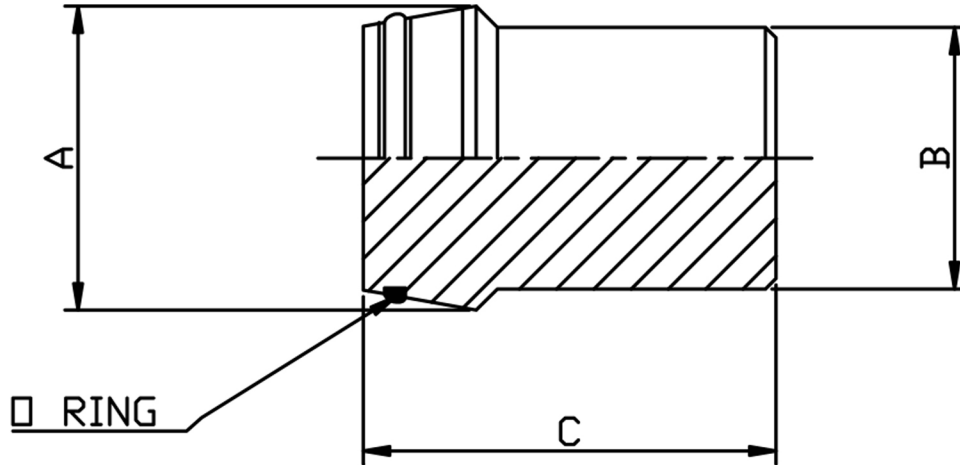


### PLUG WITH O-RING



TUBE B	PART No	A	C	O-RING	PN BAR	Kg 100
<b>LIGHT SERIES</b>						
6	P06L/S	9	17	4 X 1.5	315	0.6
8	P08L/S	11	17	6 X 1.5		0.9
10	P10L/S	13	20	7.5 X 1.5		1.5
12	P12L/S	15	21	9 X 1.5		2.1
15	P15L	18	20	12 X 2.0		3.2
18	P18L	21	21	15 X 2.0		4.9
22	P22L	25	23	20 X 2.0	160	8.0
28	P28L	31	23	26 X 2.0		13.1
35	P35L	40	29	32 X 2.5		24.0
42	P42L	47	30	38 X 2.5		34.3
<b>HEAVY SERIES</b>						
14	P14S	17	23	10 X 2.0	400	3.0
16	P16S	19	24	12 X 2.0		4.0
20	P20S	24	28	16.3 X 2.4		7.8
25	P25S	29	31	20.3 X 2.4		12.0
30	P30S	35	34	25.3 X 2.4		18.0
38	P38S	43	38	33.3 X 2.4		315

\*316Ti Stainless Steel

\*Pressures up to 630 BAR

\*Dimensions to EN ISO 8434-1/DIN 2353

\*Sizes 6mm to 42mm

\*\*DIMENSIONS SUBJECT TO CHANGE, PLEASE CONTACT US IF CRITICAL\*\*