

CODE	ΦD (MM)	G (BSPP)	A	B	E	ΦP	H	WEIGHT (G)
PI-4MTTSM2BSPP	4	G1/8	5	34.8	18.9	9	12	26.5
PI-4MTTSM2BSPP		G1/4	6.5		21.4		17	30.5
PI-4MTTSM2BSPP	6	G1/8	5	42.5	19	11	14	29
PI-4MTTSM2BSPP		G1/4	6.5		21.5		17	40
PI-4MTTSM2BSPP	8	G1/8	5	44	22	13.7	14	37.5
PI-4MTTSM2BSPP		G1/4	6.5		24.4		17	41.5
PI-4MTTSM2BSPP	10	G1/4	6.5	49.2	25.5	15.5	19	57.5
PI-4MTTSM2BSPP		G3/8	8		26		19	65.5
PI-4MTTSM2BSPP	12	G1/4	6.5	57.6	27.5	18.7	19	73
PI-4MTTSM2BSPP		G3/8	8		28		19	82.5
PI-4MTTSM2BSPP		G1/2	8		30.5		24	98

**\*\* DIMENSIONS SUBJECT TO CHANGE - PLEASE CONTACT US IF CRITICAL \*\***

### FEATURES

- Fast Connection
- High Temperature up to 150°C
- Small, compact design
- Good resistance to chemical corrosive environments
- Food safety
- Allow full flow through Hose / Tubing

### MATERIAL CONSTRUCTION

- Metal Body - SS 316
- Push Button - SS 316
- Claws - SS301
- Seals - FKM

### SPECIFICATIONS

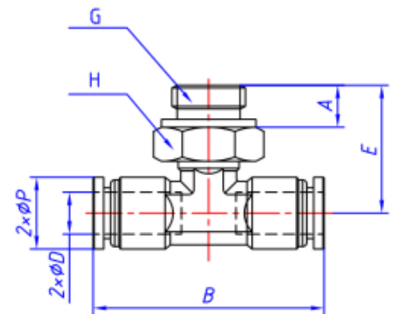
- Operating Pressure - 0-20 BAR
- Operating Temperature - -20 to 150°C
- Vacuum Rating - To 28" Hg
- Application - Air, Vacuum, Steam Beverage, Oil
- Types - Tee

### FITTINGS ADVANTAGE

- Easy to push in and pull out tubes
- Raw material is SS316L and seal is FKM, for high temp and corrosive environments
- 100% tested, no leakage



SSPB-G



We also stock a range of Push-In fittings to work alongside these fittings



### Applications:

- Pneumatics
- Air brake, fuel and lube applications
- Production lines (industrial and automotive)