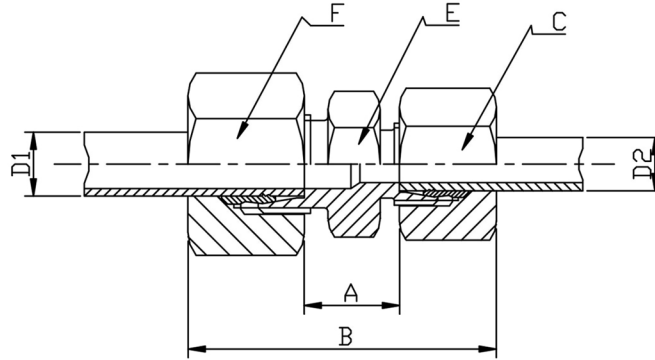


### REDUCING COUPLING



TUBE D1	TUBE D2	PART No	A	B	C	E	F	PN BAR	Kg 100
<b>LIGHT SERIES</b>									
8	6	RC0806L	11.0	40.0	14	14	17	315	4.3
10	6	RC1006L	12.0	41.0	14	17	19		5.2
10	8	RC1008L	12.0	41.0	17	17	19		5.7
12	6	RC1206L	13.0	42.0	14	19	22		6.5
12	8	RC1208L	13.0	42.0	17	19	22		7.0
12	10	RC1210L	14.0	43.0	19	19	22		7.5
15	6	RC1506L	14.0	43.5	14	24	27		9.0
15	8	RC1508L	14.0	43.5	17	24	27		9.5
15	10	RC1510L	15.0	44.5	19	24	27		10.7
15	12	RC1512L	15.0	44.5	22	24	27		11.4
18	8	RC1808L	14.5	45.0	17	27	32		12.5
18	10	RC1810L	15.5	46.0	19	27	32		14.3
18	12	RC1812L	15.5	46.0	22	27	32		15.0
18	15	RC1815L	16.5	47.5	27	27	32		17.2
22	12	RC2212L	17.5	48.0	22	32	36	160	19.3
22	15	RC2215L	18.5	49.0	27	32	36		21.8
22	18	RC2218L	18.0	51.0	32	32	36		23.8
28	10	RC2810L	18.5	49.5	19	41	41		25.0
28	12	RC2812L	20.0	58.0	22	41	41		27.0
28	15	RC2815L	19.5	51.0	27	41	41		28.0
28	18	RC2818L	19.0	52.0	32	41	41		30.6
28	22	RC2822L	21.0	54.0	36	41	41		32.6
35	28	RC3528L	21.0	59.0	41	46	50		46.1
42	28	RC4228L	22.5	61.5	41	55	60		72.0
42	35	RC4235L	21.5	66.5	50	55	60	75.0	
<b>HEAVY SERIES</b>									
8	6	RC0806S	18.0	47.0	17	17	19	630	7.4
10	6	RC1006S	17.5	48.0	17	19	22		9.1
10	8	RC1008S	17.5	48.0	19	19	22		9.5
12	6	RC1206S	19.5	50.0	17	22	24		11.1
12	8	RC1208S	19.5	50.0	19	22	24		11.5
12	10	RC1210S	19.0	51.0	22	22	24		12.7
14	10	RC1410S	20.5	54.0	24	24	27		15.6
14	12	RC1412S	20.5	54.0	24	24	27		16.2
16	10	RC1610S	20.0	54.5	22	27	30	400	17.0
16	12	RC1612S	20.0	54.0	24	27	30		18.8
16	14	RC1614S	21.5	57.0	27	27	30		21.2
20	10	RC2010S	22.0	59.5	22	32	36		27.1
20	12	RC2012S	22.0	59.5	24	32	36		27.7
20	14	RC2014S	23.5	62.5	27	32	36		30.0
20	16	RC2016S	23.0	62.5	30	32	36		31.3
25	16	RC2516S	22.5	64.5	30	41	46		51.2
25	20	RC2520S	25.5	71.0	36	41	46		56.4
30	20	RC3020S	26.0	74.0	36	46	50		65.1
30	25	RC3025S	26.5	77.0	46	46	50	77.8	
38	30	RC3830S	29.5	87.0	50	55	60	315	110.3

\*316Ti Stainless Steel

\*Pressures up to 630 BAR

\*Dimensions to EN ISO 8434-1/DIN 2353

\*Sizes 6mm to 42mm

\*\*DIMENSIONS SUBJECT TO CHANGE, PLEASE CONTACT US IF CRITICAL\*\*