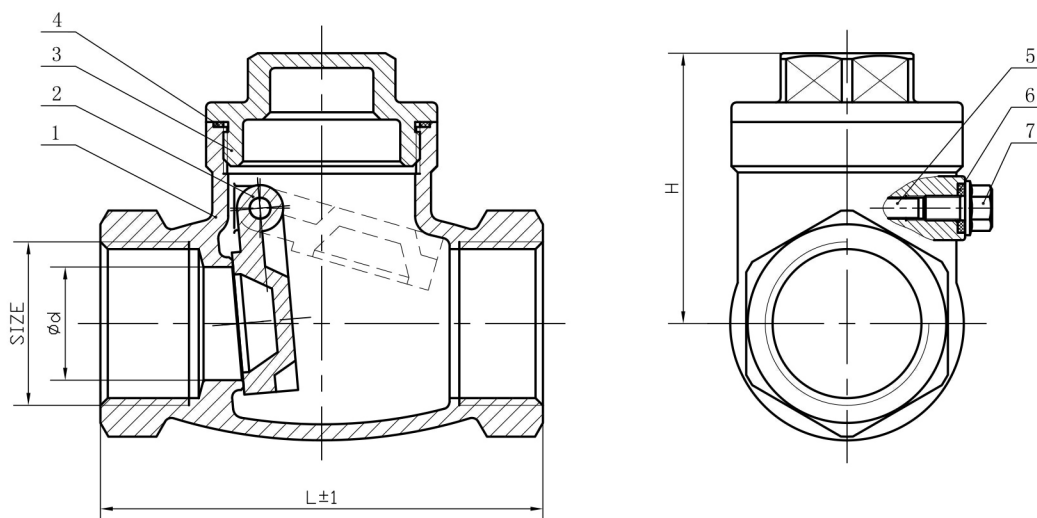


SWING CHECK VALVE BSPP



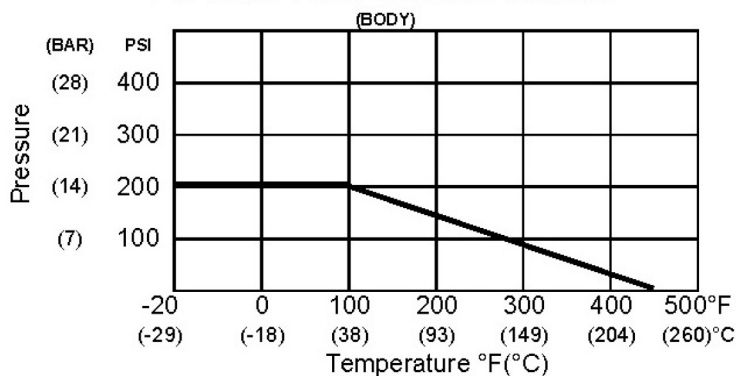
Main Technical Parameter		
Normal pressure	200	PSi
Test pressure	Shell test pressure	8.4
	Tightness test	6.2
	Gas-Tightness test	0.6
Max working temperature	-20~180	°C
Applicable medium: water, gas, oil, acid		

No.	Parts name	Material	No.	Parts name	Material
1	Body	ASTM A351 CF8M	5	Pin	ASTM A276 304
2	Disy	ASTM A351 CF8M	6	Washer	PTFE
3	Cap	ASTM A351 CF8M	7	Bolt	ASTM A193 B8M
4	Gasket	PTFE	8		

TECHNICAL SPECIFICATION

Basic design and manufacture according to ANSI B16.34
 Inspection and tested according to API598
 BSPP Threads to ISO 228/1
 Material CF8M 316 Stainless Steel
 200 PSI (14 BAR) Pressure
 Sizes 1/4" to 3"
 Temperature : -20F to 450F (-29C to 232C)

PRESSURE TEMPERATURE RATINGS



SIZE BSPP	PART No	d	H	L	CV FACTOR	Kg
1/4	SCV04	10	39.5	65	6	0.15
3/8	SCV06	12	39.5	65	12	0.20
1/2	SCV08	15	39.5	65	30	0.30
3/4	SCV12	20	48.1	80	37	0.50
1	SCV16	25	55	90	54	0.70
1 1/4	SCV20	32	60.5	103	103	1.05
1 1/2	SCV24	40	71	120	143	1.60
2	SCV32	50	76.5	140	360	2.25
2 1/2	SCV40	65	93	164	440	2.85
3	SCV48	80	121.5	190	520	3.00

DIMENSIONS SUBJECT TO CHANGE, PLEASE CONTACT US IF CRITICAL