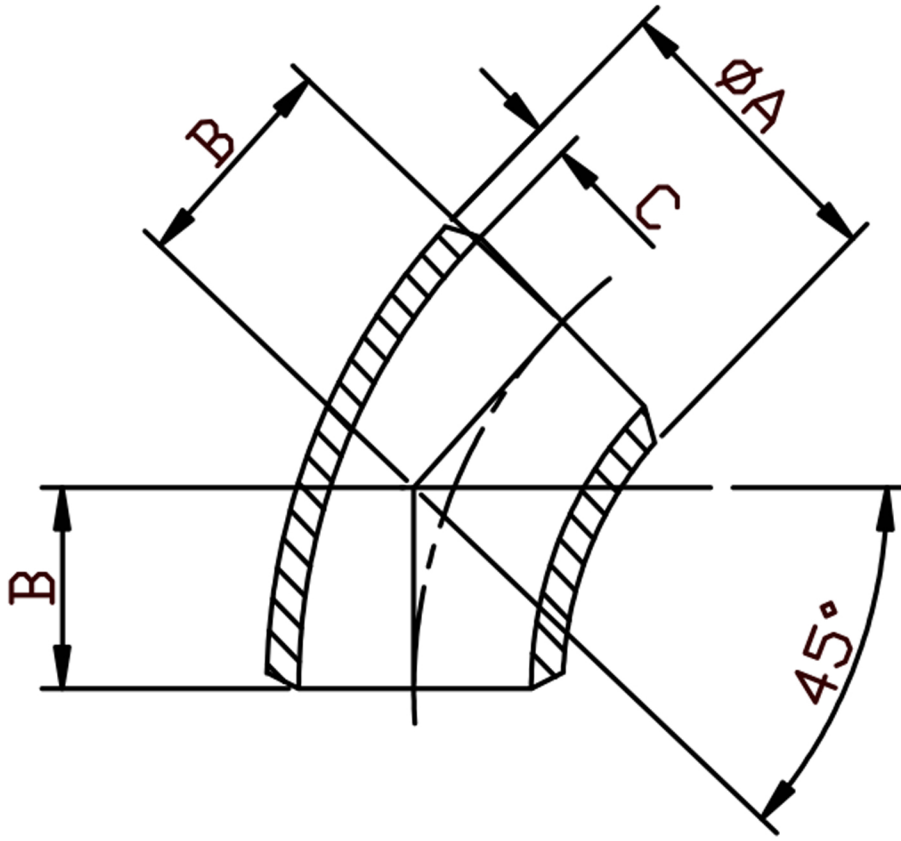


LONG RADIUS ELBOW 45 SCH40 316/L



SIZE N.B	PART NUMBER	A	B	C	Kg/100
1/2	BEA08/4	21.3	15.88	2.77	3.9
3/4	BEA12/4	26.6	11.13	2.87	5.2
1	BEA16/4	33.4	22.23	3.38	7.7
1 1/4	BEA20/4	42.1	25.4	3.56	13
1 1/2	BEA24/4	48.1	28.45	3.68	18.4
2	BEA32/4	60.3	35.05	3.91	32.6
2 1/2	BEA40/4	73.0	44.45	5.16	68.3
3	BEA48/4	88.9	50.80	5.49	102
4	BEA64/4	114.3	63.50	6.02	192
5	BEA80/4	141.3	79.25	6.55	324
6	BEA96/4	168.3	95.25	7.11	497
8	BEA128/4	219.08	127.0	8.18	1100

*Conforming to ASTM A403, ANSI B16.9, ANSI B16.28
 *316/L Stainless steel Welded
 *Schedule 40S Wall thickness
 *Sizes 1/2" to 8" Nominal Bore

DIMENSIONS SUBJECT TO CHANGE, PLEASE CONTACT US IF CRITICAL