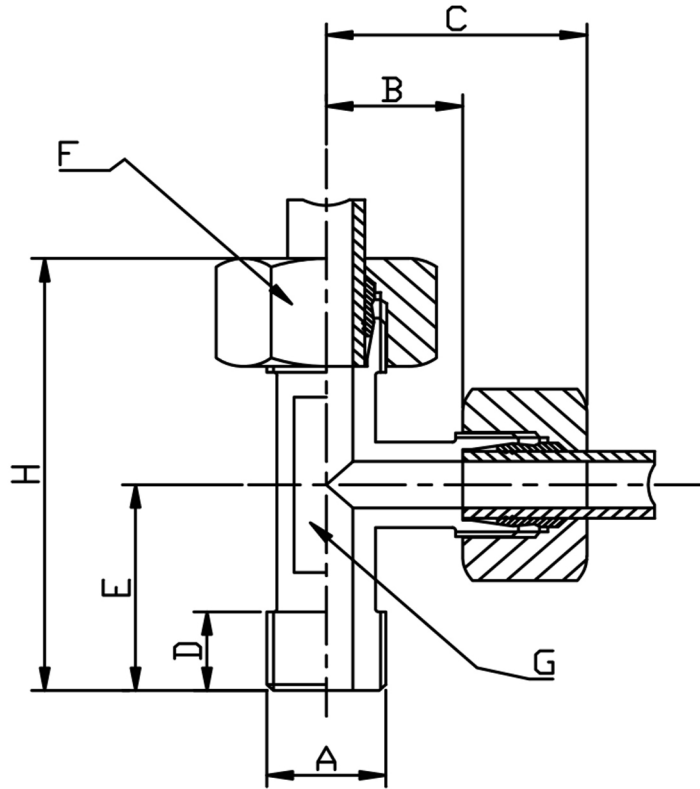


MALE RUN TEE BSPT



TUBE	A BSPT	PART No	B	C	D	E	F	G	H	PN BAR	Kg 100
LIGHT SERIES											
4	1/8	MRT04LL18BSPT	11.0	21	8	17	10	11	38	100	2.6
6	1/8	MRT06LL18BSPT	9.5	21	8	17	12	11	38		3.4
8	1/8	MRT08LL18BSPT	11.5	23	8	20	14	12	43		3.7
6	1/8	MRT06L18BSPT	12.0	27	8	20	14	12	47	315	5.1
8	1/4	MRT08L14BSPT	14.0	29	12	26	17	12	55		6.9
10	1/4	MRT10L14BSPT	15.0	30	12	27	19	17	57		9.2
12	3/8	MRT12L38BSPT	17.0	32	12	28	22	19	60		12.1
15	1/2	MRT15L12BSPT	21.0	36	14	34	27	19	70		19.8
18	1/2	MRT18L12BSPT	23.5	40	14	36	32	24	76		29.1
HEAVY SERIES											
6	1/4	MRT06S14BSPT	16.0	31	12	26	17	14	57	630	10.9
8	1/4	MRT08S14BSPT	17.0	32	12	27	19	14	59		14.0
10	3/8	MRT10S38BSPT	17.5	34	12	28	22	19	62		19.0
12	3/8	MRT12S38BSPT	21.5	38	12	28	24	22	66		24.5
14	1/2	MRT14S12BSPT	22.0	40	14	32	27	19	72		24.4
16	1/2	MRT16S12BSPT	24.5	43	14	32	30	24	75	400	31.0

*316Ti Stainless Steel

*Pressures up to 630 BAR

*Dimensions to EN ISO 8434-1/DIN 2353

*Sizes 4mm to 18mm

DIMENSIONS SUBJECT TO CHANGE, PLEASE CONTACT US IF CRITICAL