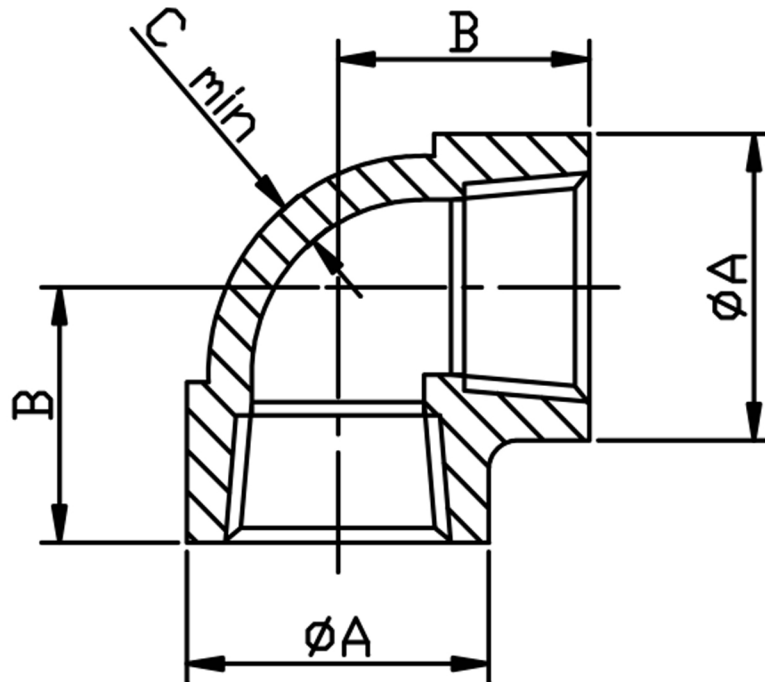


90° ELBOW NPT 316L



SIZE	PART No	A	B	C	Kg/100
1/4	3E04N	25	25	3.5	14.0
3/8	3E06N	33	29	3.5	27.3
1/2	3E08N	38	33	4.0	45.9
3/4	3E12N	46	38	4.5	65.9
1	3E16N	56	44	5.0	111.7
1-1/4	3E20N	62	51	5.5	127.8
1-1/2	3E24N	75	60	5.5	245.6
2	3E32N	84	64	7.0	270.0

*NPT threaded to ANSI B2.1

*Dimensions to ANSI B16.11/BS3799

*3000 LB rating

*Sizes 1/8" to 2"

*316L stainless steel

*Larger sizes are available

DIMENSIONS SUBJECT TO CHANGE, PLEASE CONTACT US IF CRITICAL