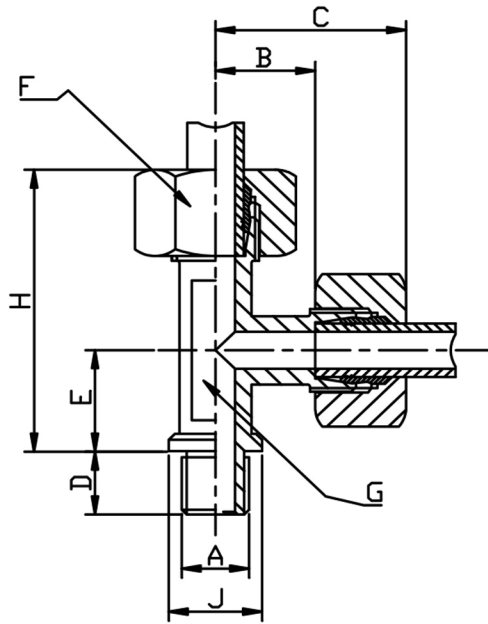


MALE RUN TEE BSPP



TUBE	A BSPP	PART No	B	C	D	E	F	G	H	J	PN BAR	Kg 100
LIGHT SERIES												
22	3/4	MRT22L34BSPP	27.5	44	16	26	36	27	70	32	160	35.4
28	1	MRT28L1BSPP	30.5	47	18	30	41	36	77	39		51.0
35	1-1/4	MRT35L114BSPP	34.5	56	20	34	50	41	90	49		81.6
42	1-1/2	MRT42L112BSPP	40.0	63	22	39	60	50	102	55		136.5
HEAVY SERIES												
20	3/4	MRT20S34BSPP	26.5	48	16	26	36	27	74	32	400	46.0
25	1	MRT25S1BSPP	30.0	54	18	30	46	36	84	39		88.0
30	1-1/4	MRT30S114BSPP	35.5	62	20	34	50	41	96	49		118.5
38	1-1/2	MRT38S112BSPP	41.0	72	22	39	60	50	111	55	315	171.0

*316Ti Stainless Steel

*Pressures up to 630 BAR

*Dimensions to EN ISO 8434-1/DIN 2353

*Sizes 20mm to 42mm

DIMENSIONS SUBJECT TO CHANGE, PLEASE CONTACT US IF CRITICAL