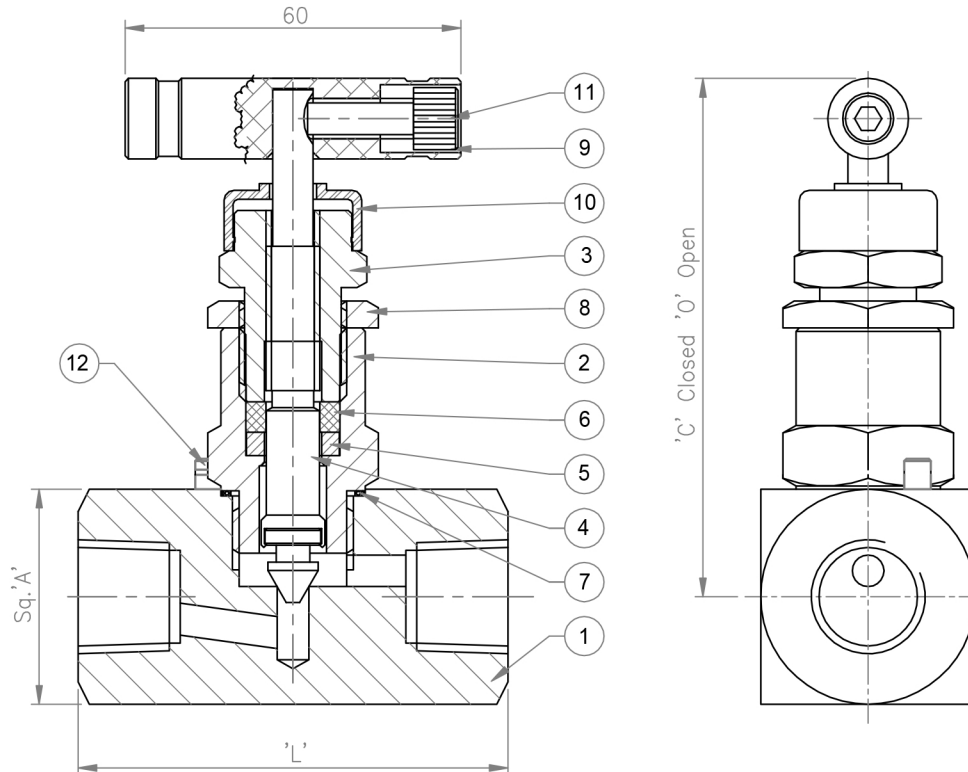


NEEDLE VALVE BSPP



FEATURES :

BONNET ASSEMBLY

- SCREWED BONNET DESIGN.
- BONNET : BACK SEATED BLOW OUT PROOF.
- SPINDLE : GROUND AND THREAD ROLLED. PACKING BELOW THREAD.
- SPINDLE TIP : NON-ROTATING TIP SHUT-OFF TYPE & SOFT SEATED.
- DUST CAP : DUST CAP PROTECTS STEM THREADS FROM EXTERNAL CONTAMINATION.
- HEAT CODE TRACEABILITY.

TECHNICAL SPECIFICATIONS :

- SIZE : 1/4" & 1"
- END CONNECTION : ISO 228/1 BSPP
- WORKING PRESSURE : 6000 Psi (413 Bar)
- TEMPERATURE RATING : PTFE 450° F(232°C)
- MATERIAL OF CONSTRUCTION : SS 316L
- OPTIONAL SOUR GAS SERVICE VALVES ARE AVAILABLE CONFIRMING TO NACE MR-01-75
- STEM PACKING : PTFE
- ORIFICE : Ø4.7
- ALL VALVES ARE 100% FACTORY TESTED PRIOR TO SHIPMENT.

TEMP	SS
ROOM	6000PSI
500°F	4000PSI
1000°F	1500PSI

TESTING :

- PNEUMATIC SEAT TEST IS PERFORMED AT 1/4 OF WORKING PRESSURE.
- HYDROSTATIC SHELL TEST IS PERFORMED AT 1.5 TIMES THE WORKING PRESSURE.
- OPTIONAL TEST ARE AVAILABLE UPON REQUEST.

SIZE	PART No BSPP	SQ-'A'	L	CLOSE - 'C'	OPEN - 'O'	Kg EACH	ORIFICE	CV
1/4	NV04	25	55	74	79	0.15	4	0.35
3/8	NV06	25	55	74	79	0.25	4	0.35
1/2	NV08	28	62	77	82	0.35	6	0.85
3/4	NV12	38	62	80	85	0.45	6	0.85
1	NV16	42	80	82	87	0.65	8	1.2



S.NO.	DESCRIPTION	QTY.	MATERIAL
1	BODY	1	ASTM A182 F316
2	BONNET	1	SS 316 (AISI-316)
3	BONNET PUSHER	1	SS 316 (AISI-316)
4	STEM (TIP)	1	SS 316 (AISI-316) 17-4PH
5	PACKING	1	TEFLON
6	WASHER	1	SS 316 (AISI-316)
7	BONNET SEAL	1	S.S.
8	CHECK NUT	1	SS 316 (AISI-316)
9	HANDLE	1	SS 304
10	DUST CAP	1	LDPE
11	ALLEN BOLT	1	S.S.
12	LOCK PIN	1	S.S.

****DIMENSIONS SUBJECT TO CHANGE, PLEASE CONTACT US IF CRITICAL****