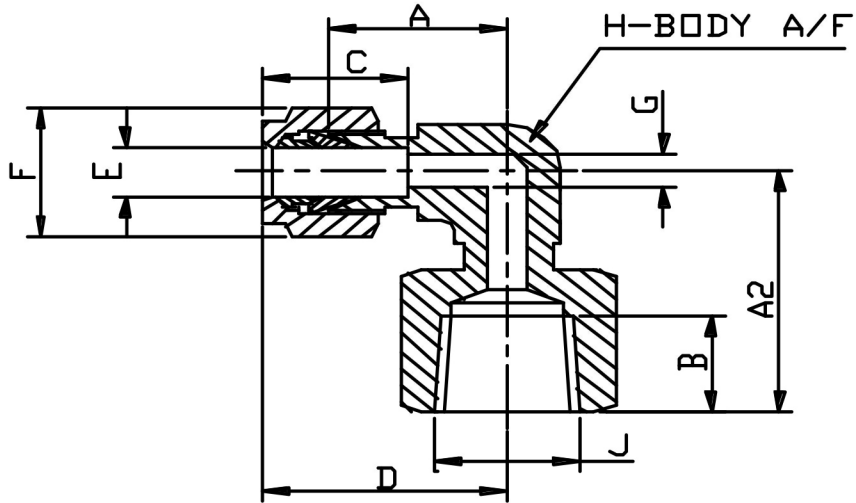


### FEMALE STUD ELBOW BSPP (METRIC)



E TUBE	J THREAD	PART No	A	A2	B	C	E	F HEX	G	H A/F	Kg/100
6	1/8	<b>6mFE2BSPP</b>	22.2	27.8	10.0	16.1	30.4	14	4.7	14	5.8
6	1/4	<b>6mFE4BSPP</b>	22.2	30.2	15.0	16.1	30.4	14	4.7	14	6.5
10	1/4	<b>10mFE4BSPP</b>	23.8	34.9	15.0	17.7	32.0	19	5.5	17	7.8
12	1/4	<b>12mFE4BSPP</b>	30.2	38.1	15.0	23.5	41.0	22	9.5	24	14.0
12	1/2	<b>12mFE8BSPP</b>	30.2	41.3	19.8	23.5	41.0	22	9.5	24	21.7
20	3/4	<b>20mFE12BSPP</b>	33.3	42.1	20.6	25.1	44.1	30	16.7	32	39.4

\*316 Stainless Steel

\*Metric sizes 6mm to 20mm

\*Silver plated nuts

\*\*DIMENSIONS SUBJECT TO CHANGE, PLEASE CONTACT US IF CRITICAL\*\*