

CODE		ΦD (MM)	R (BSPT)	A	E	B	ΦP	H	WEIGHT (G)
PI-4MMSE2BSPT	PI-4MMSE2NPT	4	R1/8	8	17.4	20.5	9	12	16
PI-4MMSE4BSPT	PI-4MMSE4NPT		R1/4	11		24		14	21
PI-6MMSE2BSPT	PI-6MMSE2NPT	6	R1/8	8	21.1	21	11	12	19.5
PI-6MMSE4BSPT	PI-6MMSE4NPT		R1/4	11		24.5		14	25
PI-6MMSE6BSPT	PI-6MMSE6NPT		R3/8	11		25		17	37.5
PI-8MMSE2BSPT	PI-8MMSE2NPT	8	R1/8	8	22	23.9	13.7	14	26
PI-8MMSE4BSPT	PI-8MMSE4NPT		R1/4	11		27.4		17	28.5
PI-8MMSE6BSPT	PI-8MMSE6NPT		R3/8	11		27.9		17	35
PI-10MMSE4BSPT	PI-10MMSE4NPT	10	R1/4	11	24.6	28.5	15.5	17	38
PI-10MMSE6BSPT	PI-10MMSE6NPT		R3/8	11		29		17	45
PI-10MMSE8BSPT	PI-10MMSE8NPT		R1/2	14.5		32.5		22	55
PI-12MMSE4BSPT	PI-12MMSE4NPT	12	R1/4	11	28.8	30.5	18.7	19	50
PI-12MMSE6BSPT	PI-12MMSE6NPT		R3/8	11		31		19	58
PI-12MMSE8BSPT	PI-12MMSE8NPT		R1/2	14.5		34.5		22	65

**** DIMENSIONS SUBJECT TO CHANGE - PLEASE CONTACT US IF CRITICAL ****

FEATURES

- Fast Connection
- High Temperature up to 150°C
- Small, compact design
- Good resistance to chemical corrosive environments
- Food safety
- Allow full flow through Hose / Tubing

MATERIAL CONSTRUCTION

- Metal Body - SS 316
- Push Button - SS 316
- Claws - SS301
- Seals - FKM

SPECIFICATIONS

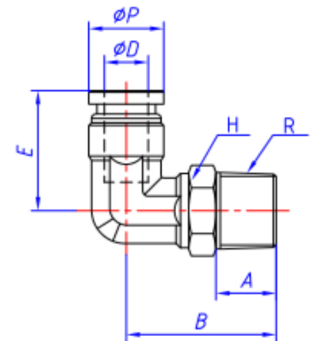
- Operating Pressure - 0-20 BAR
- Operating Temperature - -20 to 150°C
- Vacuum Rating - To 28" Hg
- Application - Air, Vacuum, Steam Beverage, Oil
- Types - Elbow

FITTINGS ADVANTAGE

- Easy to push in and pull out tubes
- Raw material is SS316L and seal is FKM, for high temp and corrosive environments
- 100% tested, no leakage



SSPL



We also stock a range of Push-In fittings to work alongside these fittings



Applications:

- Pneumatics
- Air brake, fuel and lube applications
- Production lines (industrial and automotive)



5 STAR ★★★★★
CUSTOMER SERVICE



SAME DAY DISPATCH -
ORDERS PLACED BEFORE 4:30PM



WEALTH OF
INDUSTRY KNOWLEDGE



ONE OF THE LARGEST
STOCKISTS IN THE UK

CALL: +44 (0)121 665 3900 EMAIL: INFO@NERO.CO.UK

UNIT 2, UNION RD, ANGLO AFRICAN INDUSTRIAL ESTATE, OLDBURY, WEST MIDLANDS B69 3EX

WWW.NERO.CO.UK