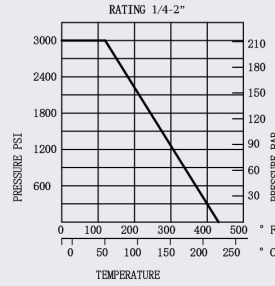
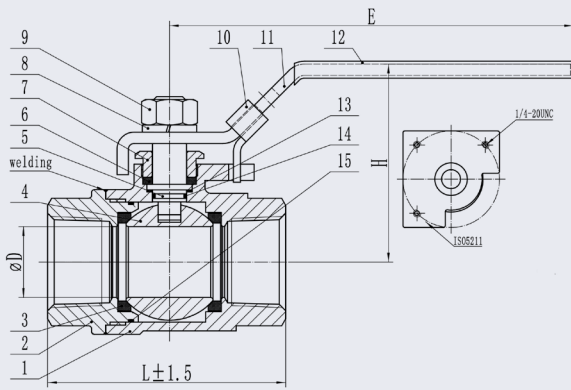


# 2 PCE Full Ball Valve (3000 PSI) BSPP



- Investment casting
- Working pressure: DN8-DN50 3000PSI
- Temperature range: -25°C to 180°C threaded ends
- ANSIB2.1, BS 21, DIN259 / 2999 ISO228-1, JIS B 0203, ISO7/1

SIZE	BSPP	NPT	D	L	H	E	Weight (KG)
1/4	3FBV04	3FBV04N	8	76	52	132.5	0.4
3/8	3FBV06	3FBV06N	10	76	52	132.5	0.54
1/2	3FBV08	3FBV08N	15	101	53	132.5	0.76
3/4	3FBV12	3FBV12N	20	108	68.5	150	1
1	3FBV16	3FBV16N	25	115	70.5	150	1.56
1-1/4	3FBV20	3FBV20N	32	121	84	182	2.44
1-1/2	3FBV24	3FBV24N	40	134	88.6	182	3.62
2	3FBV32	3FBV32N	50	158	90	182	4.76

S.NO.	COMPONENT	MATERIAL
1	BODY	CF8M
2	CAP	CF8M
3	SEAT	PEEK
4	BALL	CF8M
5	STEM	17-4
6	PACKING	UHMWPE
7	GLAND RETAINER NUT	304
8	STEM WASHER	304
9	HANDLE NUT	304
10	LOCKING DEVICE	304
11	HANDLE	304
12	PLASTIC SLEEVE	PLASTIC
13	O-RING	FKM
14	THRUST WASHER	UHMWPE
15	O-RING	FKM

**\*\* Dimensions subject to change - Please contact us if critical \*\***