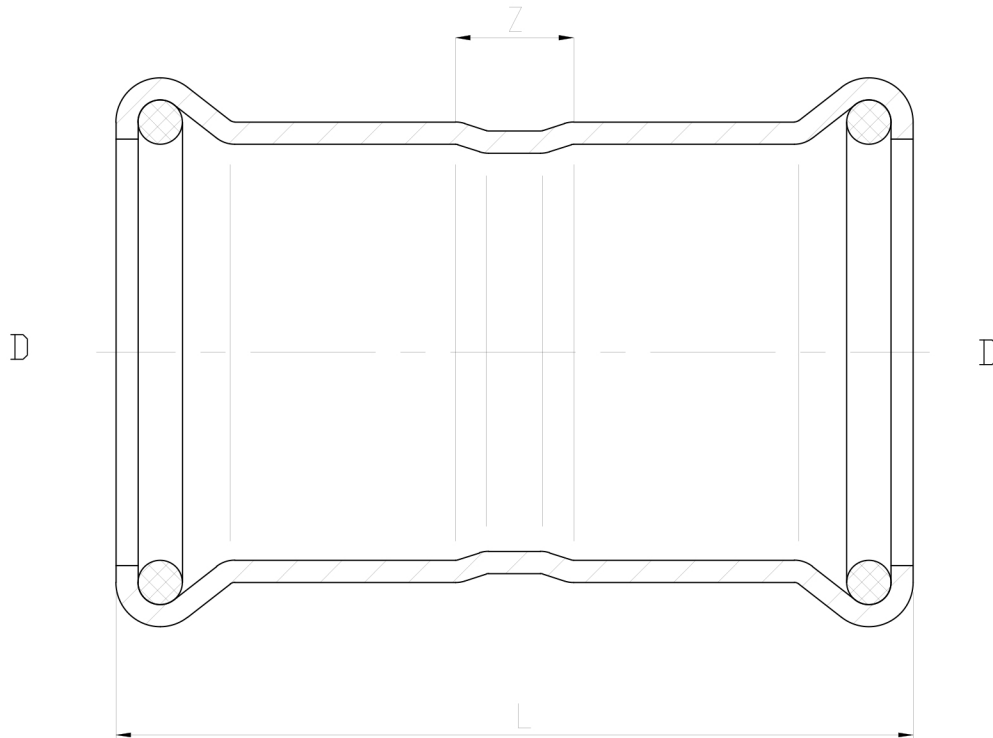


### COUPLING



SIZE	PART No	D	L	Z	WEIGHT
					KG EACH
15	PFC15	15	48	8	0.034
18	PFC18	18	48	8	0.04
22	PFC22	22	50	8	0.051
28	PFC28	28	54	8	0.067
35	PFC35	35	62	10	0.095
42	PFC42	42	71	11	0.138
54	PFC54	54	83	13	0.19
76.1	PFC76.1	76.1	141	35	0.588
88.9	PFC88.9	88.9	162	42	0.767
108	PFC108	108.0	194	44	1.188

\*316L/1.4404 SS

\*-35°C to +135°C (EPDM Seal)

\*-20°C to +200°C (Optional FPM Seal)

\*Maximum 16 BAR Operating pressure

\*WRAS/DVGW Approved

\*Sizes 15MM to 108MM

\*Female threads Parallel Rp to EN10226-1/ISO7-1

\*Male threads Taper Rc to EN10226-1/ISO7-1

**\*\*DIMENSIONS SUBJECT TO CHANGE, PLEASE CONTACT US IF CRITICAL\*\***