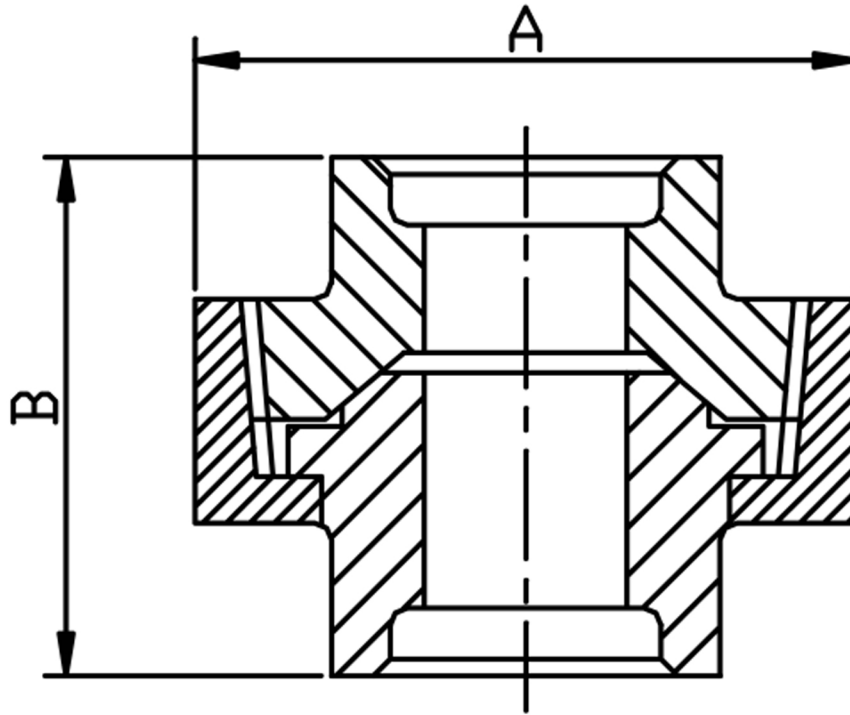


UNION CONICAL SOCKET WELD 316L



SIZE	PART No	A	B	Kg/100
1/4	3UC04SW	37	48	16.4
3/8	3UC06SW	46	52	39.2
1/2	3UC08SW	48	56	35.3
3/4	3UC12SW	56	59	51.4
1	3UC16SW	68	62	73.8
1-1/4	3UC20SW	80	71	121.4
1-1/2	3UC24SW	86	79	151.1
2	3UC32SW	105	91	248.2

*Socket weld ends (SW)

*Dimensions to ANSI B16.11/BS3799

*3000 LB rating

*Sizes 1/4" to 2"

*316L stainless steel

*Larger sizes are available

****DIMENSIONS SUBJECT TO CHANGE, PLEASE CONTACT US IF CRITICAL****