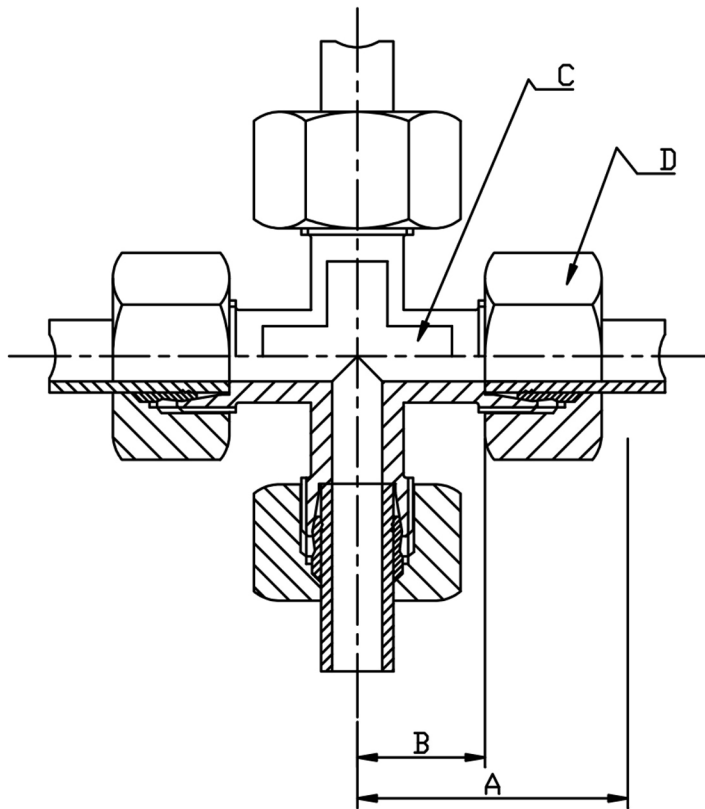


EQUAL CROSS



TUBE	PART No	A	B	C	D	PN BAR	Kg 100
LIGHT SERIES							
4	EC04LL	21	11	9	10	100	3.0
6	EC06LL	21	9.5	9	12		4.0
8	EC08LL	23	11.5	12	14		6.0
6	EC06L	27	12.0	12	14	315	7.9
8	EC08L	29	14.0	12	17		10.7
10	EC10L	30	15.0	14	19		13.5
12	EC12L	32	17.0	17	22		17.9
15	EC15L	36	21.0	19	27		30.4
18	EC18L	40	23.5	24	32	160	44.7
22	EC22L	44	27.5	27	36		60.8
28	EC28L	47	30.5	36	41		76.9
35	EC35L	56	34.5	41	50		122.9
42	EC42L	63	40.0	50	60		184.7
HEAVY SERIES							
6	EC06S	31	16.0	12	17	630	12.8
8	EC08S	32	17.0	14	19		16.7
10	EC10S	34	17.5	17	22		22.8
12	EC12S	38	21.5	17	24		28.4
14	EC14S	40	22.0	19	27		37.6
16	EC16S	43	24.5	24	30	400	50.1
20	EC20S	48	26.5	27	36		76.9
25	EC25S	54	30.0	36	46		144.4
30	EC30S	62	35.5	41	50		177.8
38	EC38S	72	41.0	50	60		315

*316Ti Stainless Steel

*Pressures up to 630 BAR

*Dimensions to EN ISO 8434-1/DIN 2353

*Sizes 4mm to 42mm

DIMENSIONS SUBJECT TO CHANGE, PLEASE CONTACT US IF CRITICAL