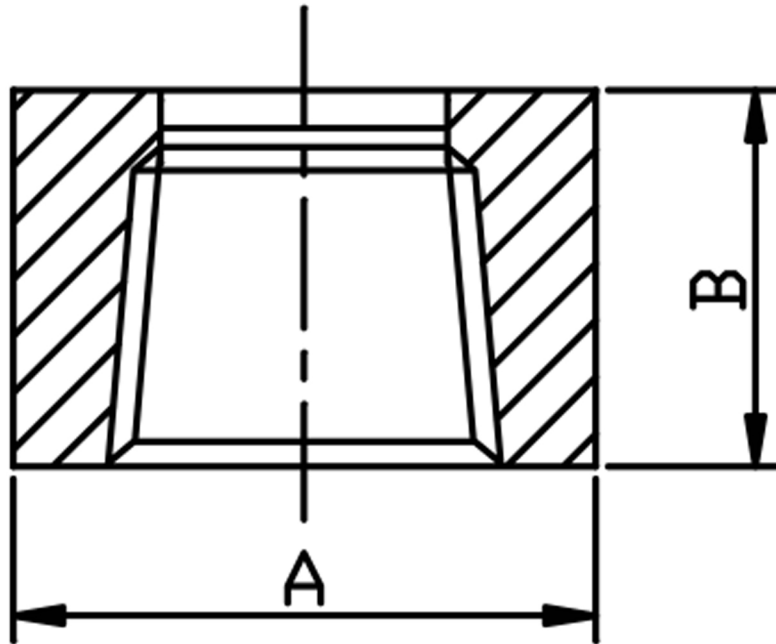


HALF COUPLING BSPT 316L



SIZE	PART No	A	B	Kg/100
1/8	3HS02T	16	16	2.0
1/4	3HS04T	19	18	2.9
3/8	3HS06T	22	19	3.0
1/2	3HS08T	29	24	6.6
3/4	3HS12T	35	25	10.8
1	3HS16T	45	30	21.9
1-1/4	3HS20T	57	33	36.7
1-1/2	3HS24T	64	40	51.0
2	3HS32T	76	43	71.5

*BSPT threaded to ISO 7-1

*Dimensions to ANSI B16.11/BS3799

*3000 LB rating

*Sizes 1/8" to 2"

*316L stainless steel

*Larger sizes are available

****DIMENSIONS SUBJECT TO CHANGE, PLEASE CONTACT US IF CRITICAL****