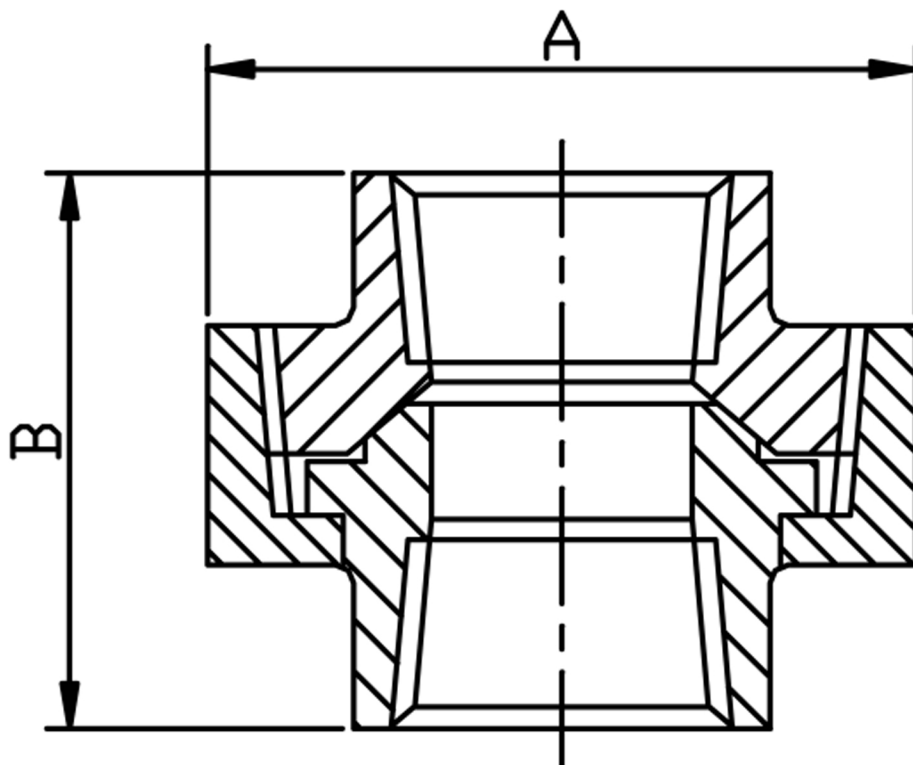


FEMALE UNION NPT 316L



SIZE NPT	PART No	A	B	Kg/100
1/2	6UC08N	60	69	10.06
3/4	6UC12N	72	72	14.45
1	6UC16N	80	80	23.57

*NPT threaded to ANSI B2.1

*Dimensions to ANSI B16.11/BS3799

*6000 LB rating

*Sizes 1/2" to 1"

*316L stainless steel

*Larger sizes are available

****DIMENSIONS SUBJECT TO CHANGE, PLEASE CONTACT US IF CRITICAL****