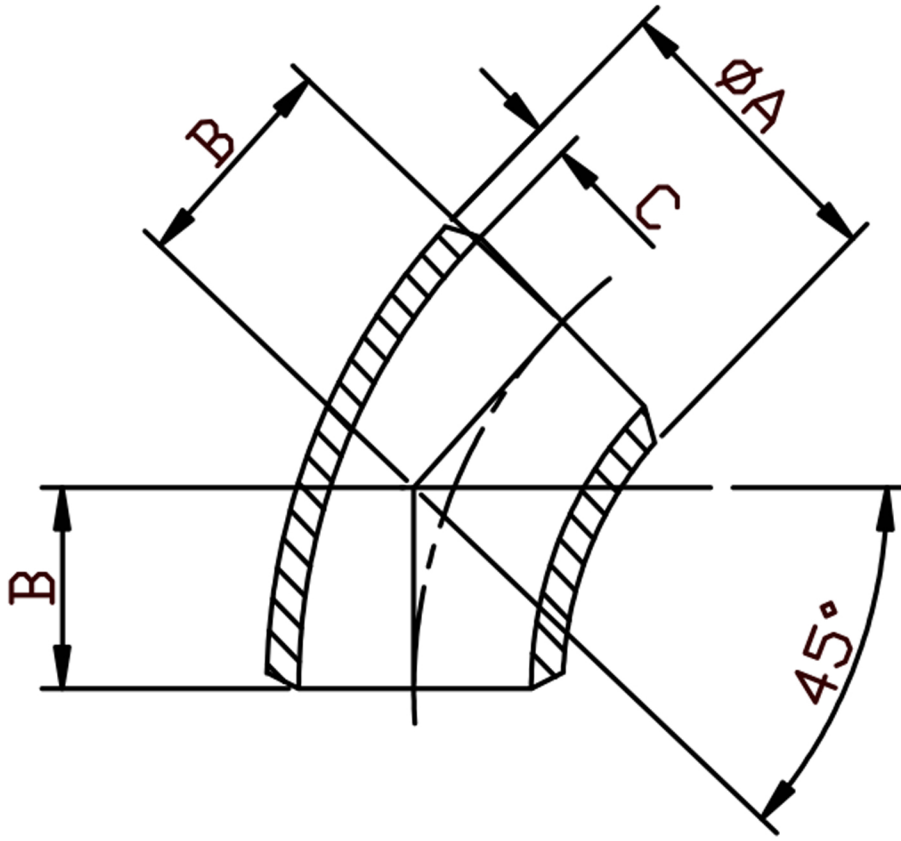


### LONG RADIUS ELBOW 45 SCH10 304/L



SIZE N.B	PART NUMBER	A	B	C	Kg/100
1/2	BEA08/1-304	21.3	15.88	2.11	3
3/4	BEA12/1-304	26.6	11.13	2.11	3.9
1	BEA16/1-304	33.4	22.23	2.77	6.4
1 1/4	BEA20/1-304	42.1	25.4	2.77	10.3
1 1/2	BEA24/1-304	48.1	28.45	2.77	14.2
2	BEA32/1-304	60.3	35.05	2.77	23.9
2 1/2	BEA40/1-304	73.0	44.45	3.05	40.6
3	BEA48/1-304	88.9	50.80	3.05	57.1
4	BEA64/1-304	114.3	63.50	3.05	98.5
5	BEA80/1-304	141.3	79.25	3.40	171
6	BEA96/1-304	168.3	95.25	3.40	243
8	BEA128/1-304	219.08	127.0	3.76	510
10	BEA160/1-304	273	159.0	4.19	907.5

\*Conforming to ASTM A403, ANSI B16.9, ANSI B16.28  
 \*304/L Stainless steel Welded  
 \*Schedule 10S Wall thickness  
 \*Sizes 1/2" to 10" Nominal Bore

\*\*DIMENSIONS SUBJECT TO CHANGE, PLEASE CONTACT US IF CRITICAL\*\*