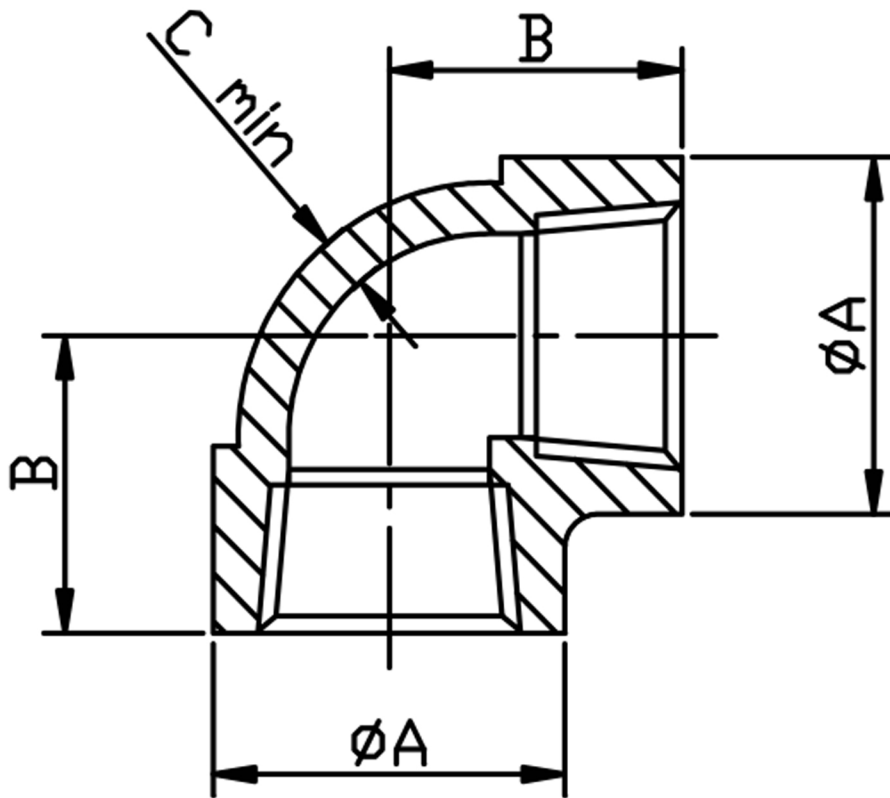


### 90° ELBOW BSPT 316L



SIZE	PART No	A	B	C	Kg/100
1/4	3E04T	25	25	3.5	14.0
3/8	3E06T	33	29	3.5	27.3
1/2	3E08T	38	33	4.0	45.9
3/4	3E12T	46	38	4.5	65.9
1	3E16T	56	44	5.0	111.7
1-1/4	3E20T	62	51	5.5	127.8
1-1/2	3E24T	75	60	5.5	245.6
2	3E32T	84	64	7.0	270.0

\*BSPT threaded to ISO 7-1

\*Dimensions to ANSI B16.11/BS3799

\*3000 LB rating

\*Sizes 1/4" to 2"

\*316L stainless steel

\*Larger sizes are available

\*\*DIMENSIONS SUBJECT TO CHANGE, PLEASE CONTACT US IF CRITICAL\*\*